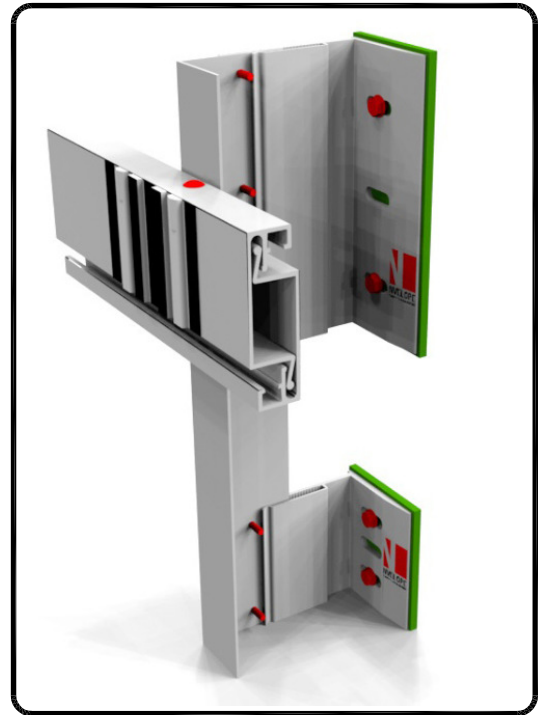


February 2015

System:- NV8 System

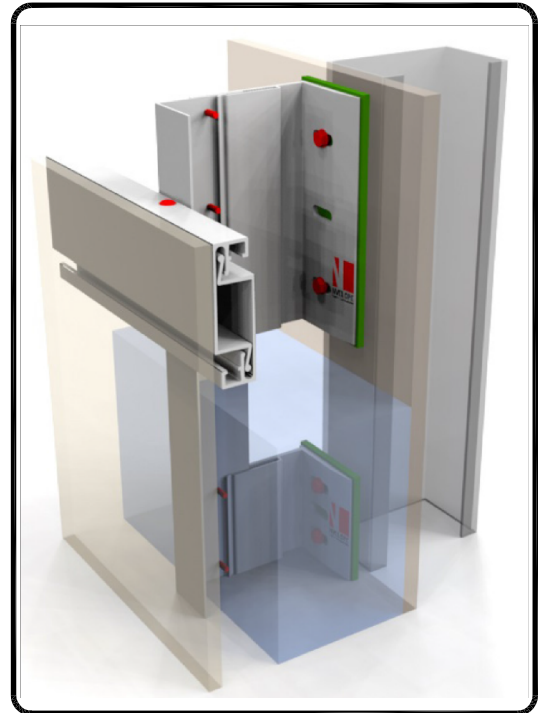
aluminium support system for
rain screen cladding panels

NVELOPE SYSTEM NV8



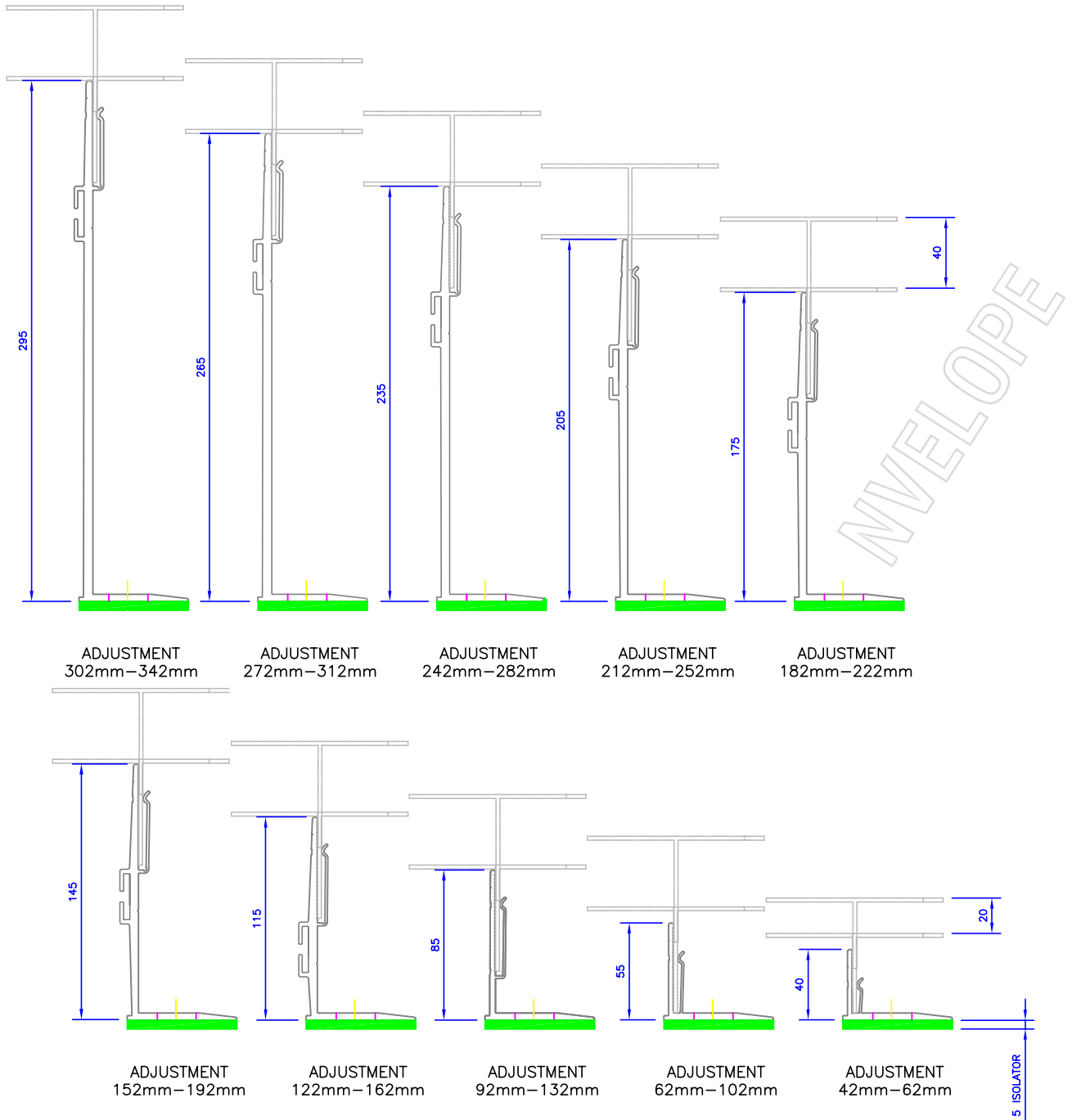
CONTENTS:

- NV8-01 Tolerances for adjustment
- NV8-02 Horizontal section – NVELOPE 90
- NV8-03 Vertical section – NVELOPE 90 SINGLE
- NV8-04 Vertical section – NVELOPE 90 DOUBLE
- NV8-05 Horizontal section–external corner
- NV8-06 Horizontal section–internal corner
- NV8-07 Final fix detail
- NV8-08 Hanger and rail dims
- NV8-09 Adjusting screw details



LEGEND:

- A – Cladding SHEET
- C1 – Secret fixing hanger with levelling screw
- C2 – Secret fixing hanger.
- D – Screw
- E – Fixing screw
- F – Window profile
- 1 – Steel frame wall
- 2 – NVELOPE – support bracket
- 3 – Primary Fixing
- 4 – L profile vertical (60 X 40 X 2.2)
- 5 – SR2 self drilling stainless steel screw
- 6 – Horizontal Profile
- 7 – Insulation
- 8 – Ventilation
- 10 – NVELOPE Isolator

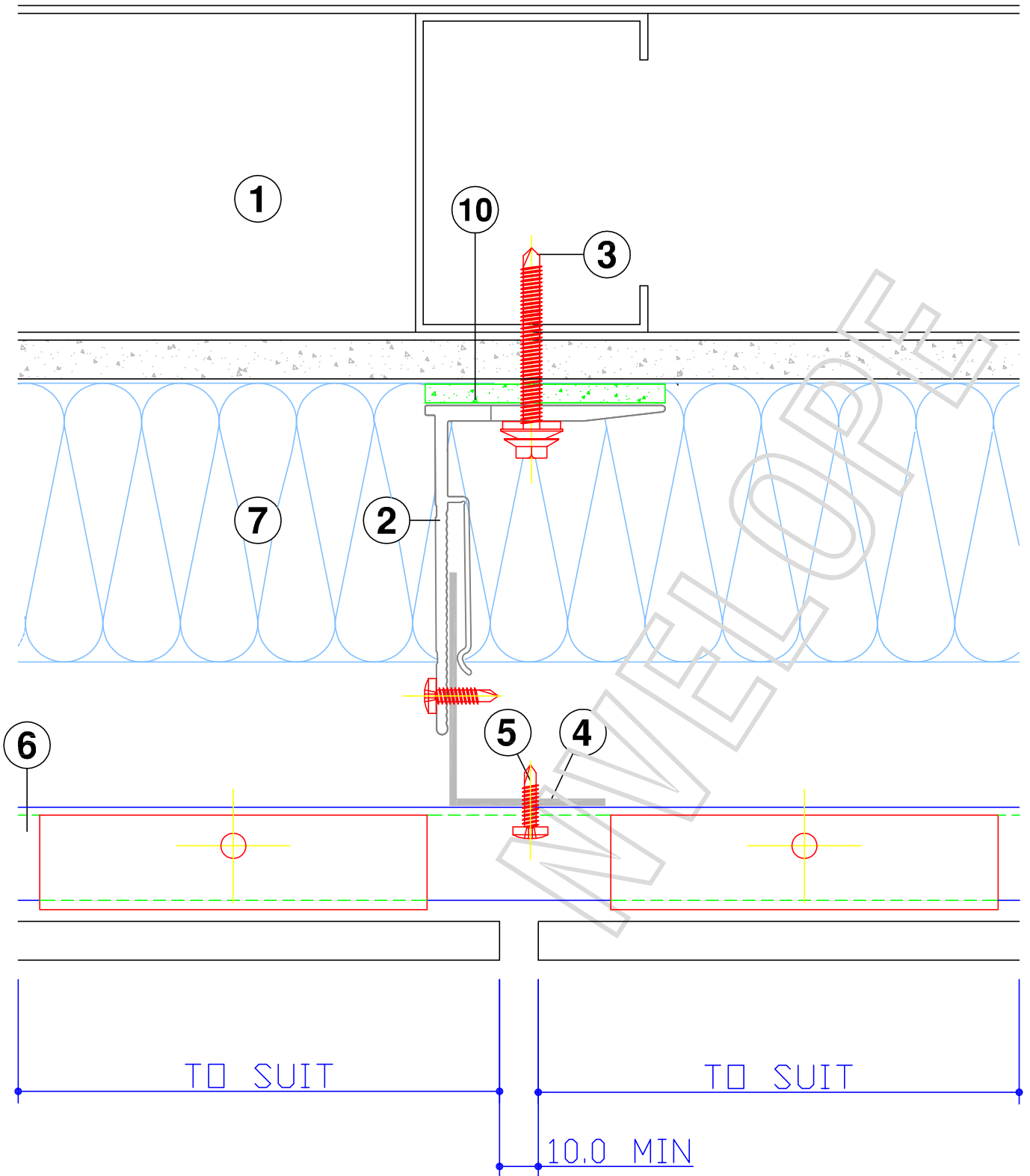


| BRACKETS | Adjustment range for each bracket (mm) | |
|-------------|--|--------|
| Nvelope 40 | from 42 | to 62 |
| Nvelope 60 | from 62 | to 102 |
| Nvelope 90 | from 92 | to 132 |
| Nvelope 120 | from 122 | to 162 |
| Nvelope 150 | from 152 | to 192 |
| Nvelope 180 | from 182 | to 222 |
| Nvelope 210 | from 212 | to 252 |
| Nvelope 240 | from 242 | to 282 |
| Nvelope 270 | from 272 | to 312 |
| Nvelope 300 | from 302 | to 342 |

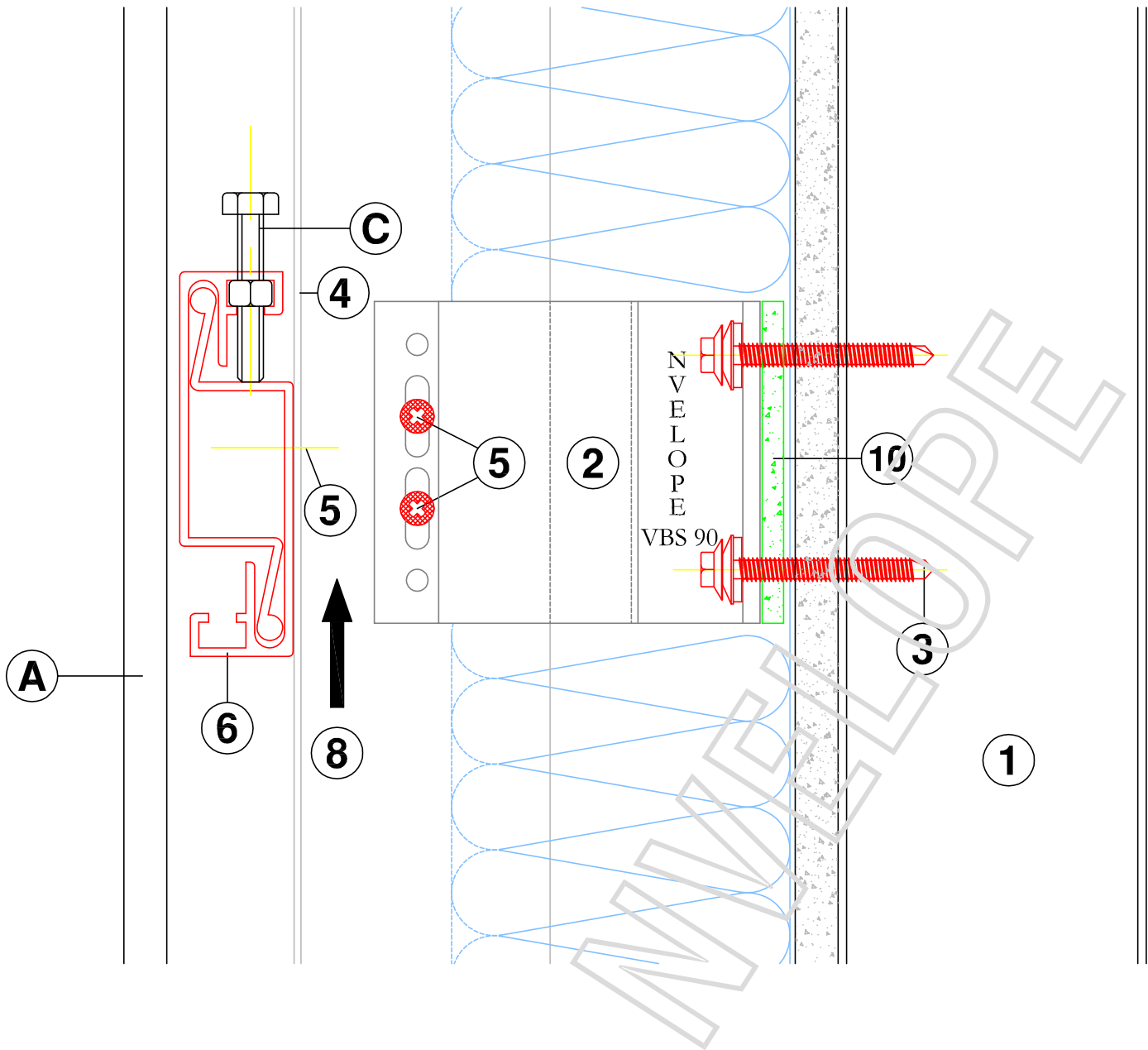
HORIZONTAL SECTIONS
TOLERANCES FOR ADJUSTMENT

February 2015

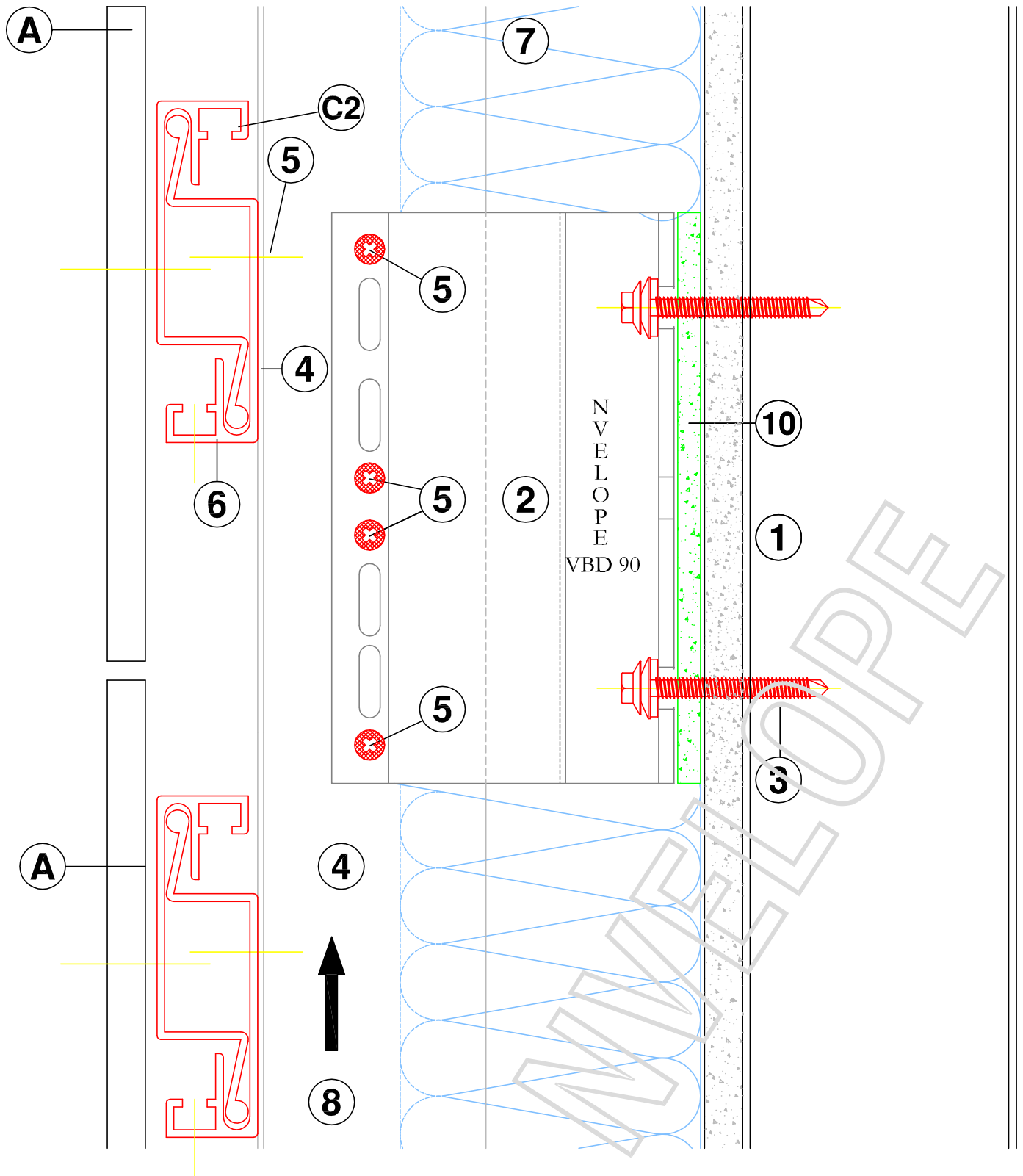
System:- NV8 SYSTEM



HORIZONTAL SECTION - NVELOPE 90

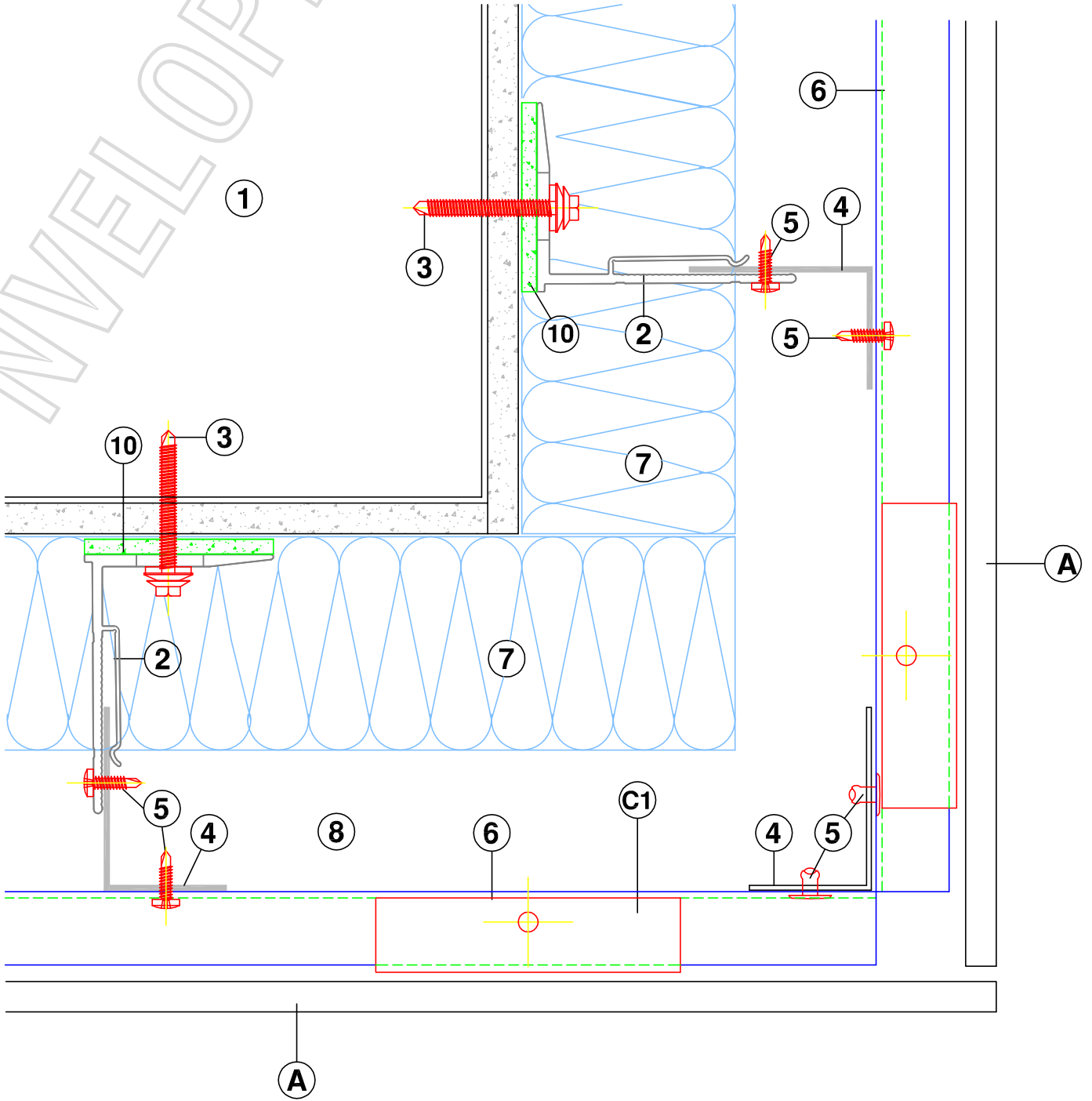


VERTICAL SECTION - NVELOPE 90 SINGLE

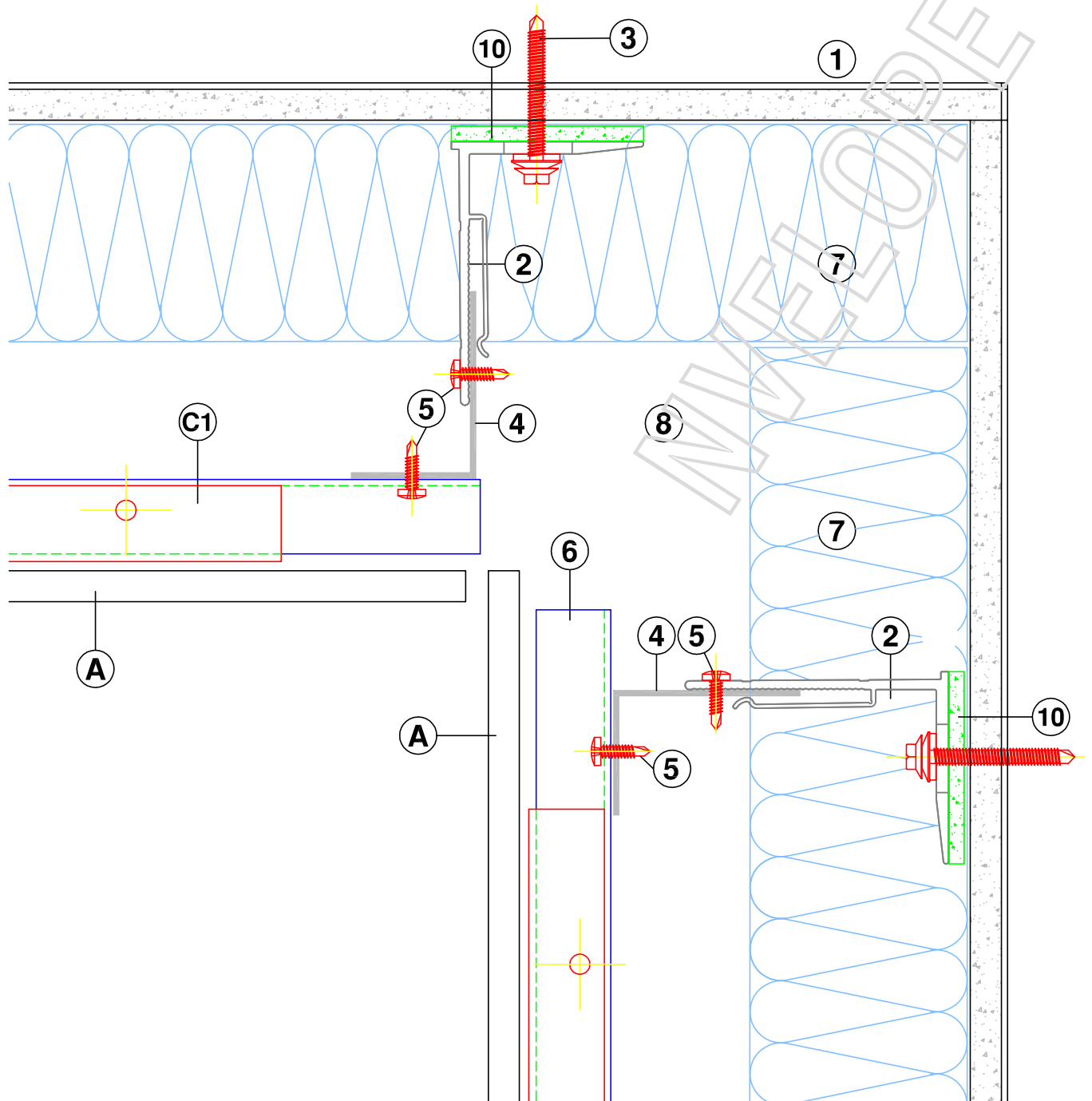


VERTICAL SECTION - NVELOPE DOUBLE

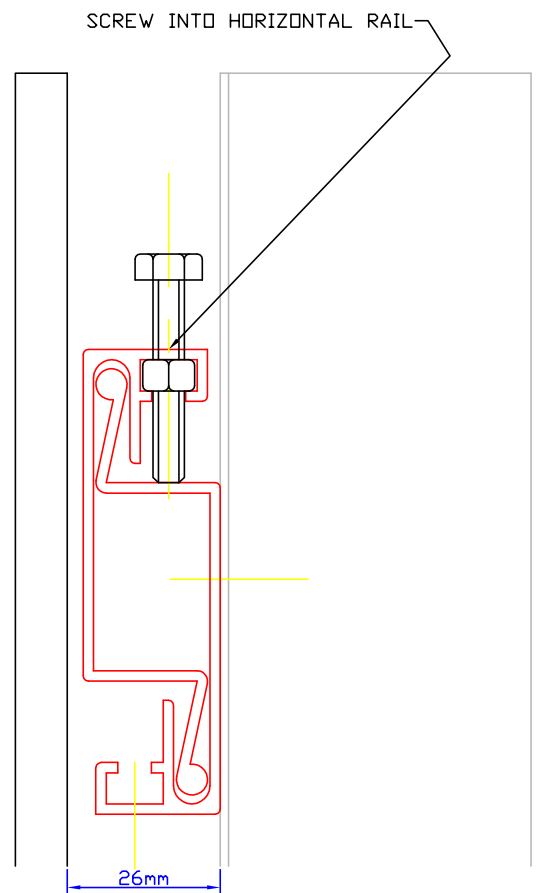
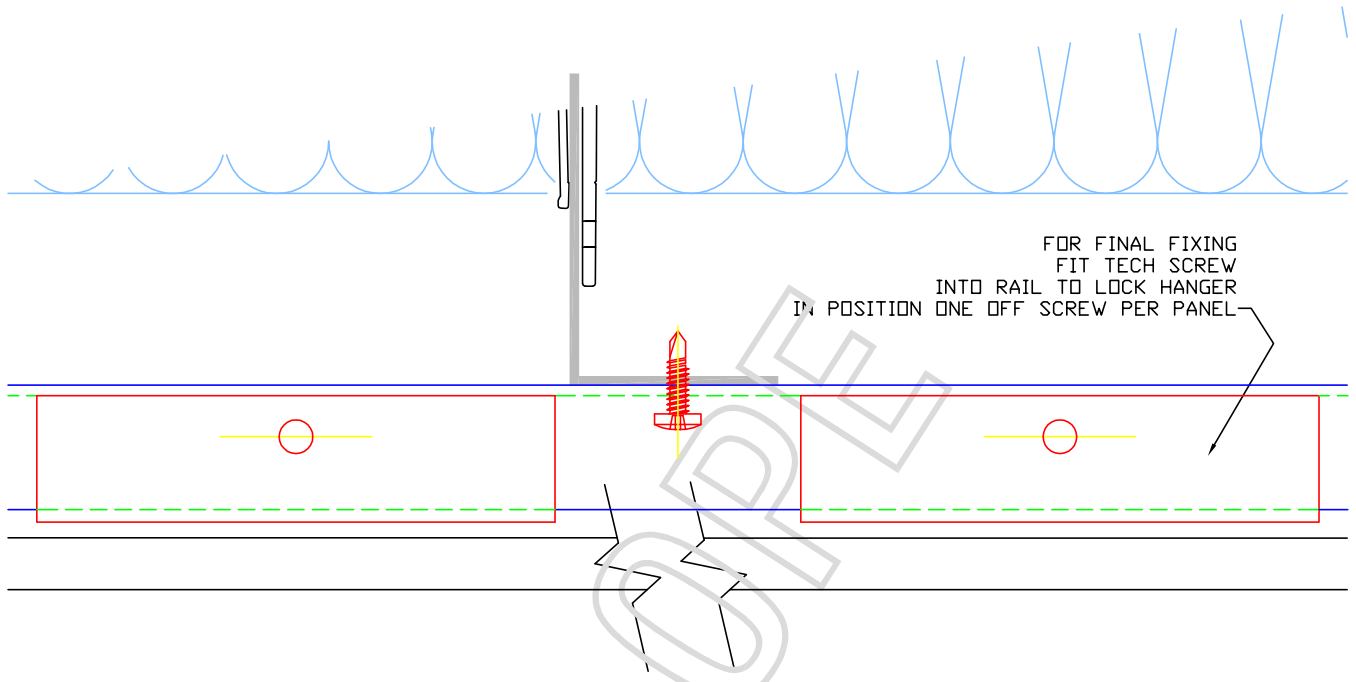
NVELOPE



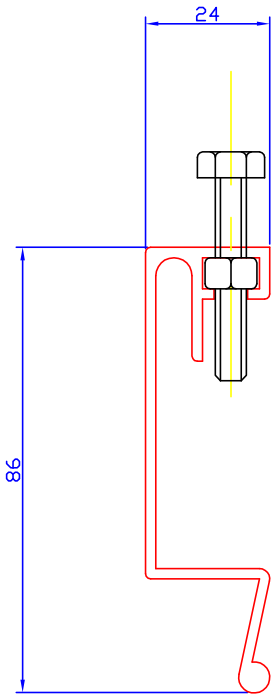
HORIZONTAL SECTION - EXTERNAL CORNER



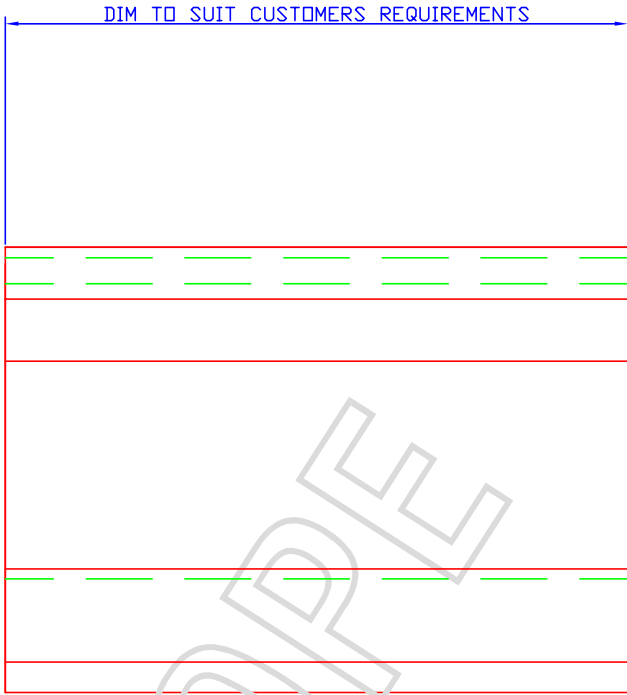
HORIZONTAL SECTION - INTERNAL CORNER



FINAL FIXING SCREW

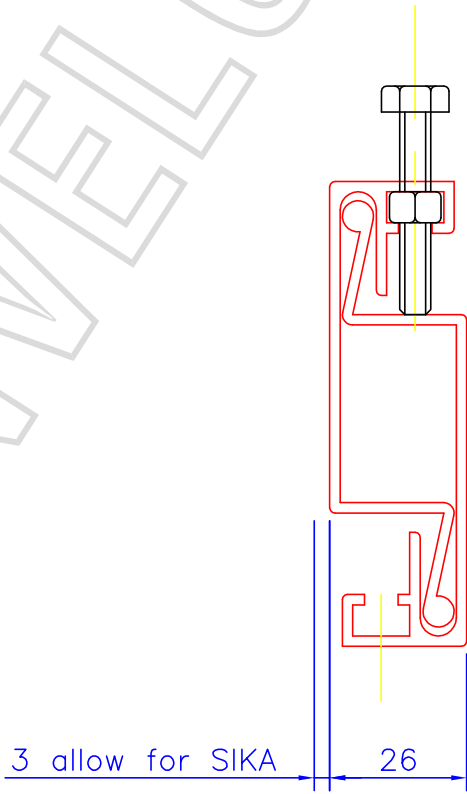


NV8 CLIP



NV8 RAILS

NVELOPE



ASSEMBLY DIM

