

Wido-Ceramic System Assembling Laminam ceramic slabs



Dimensions of Laminam slabs (mm)

Width	Height
3000	1000

Thickness of Laminam slabs

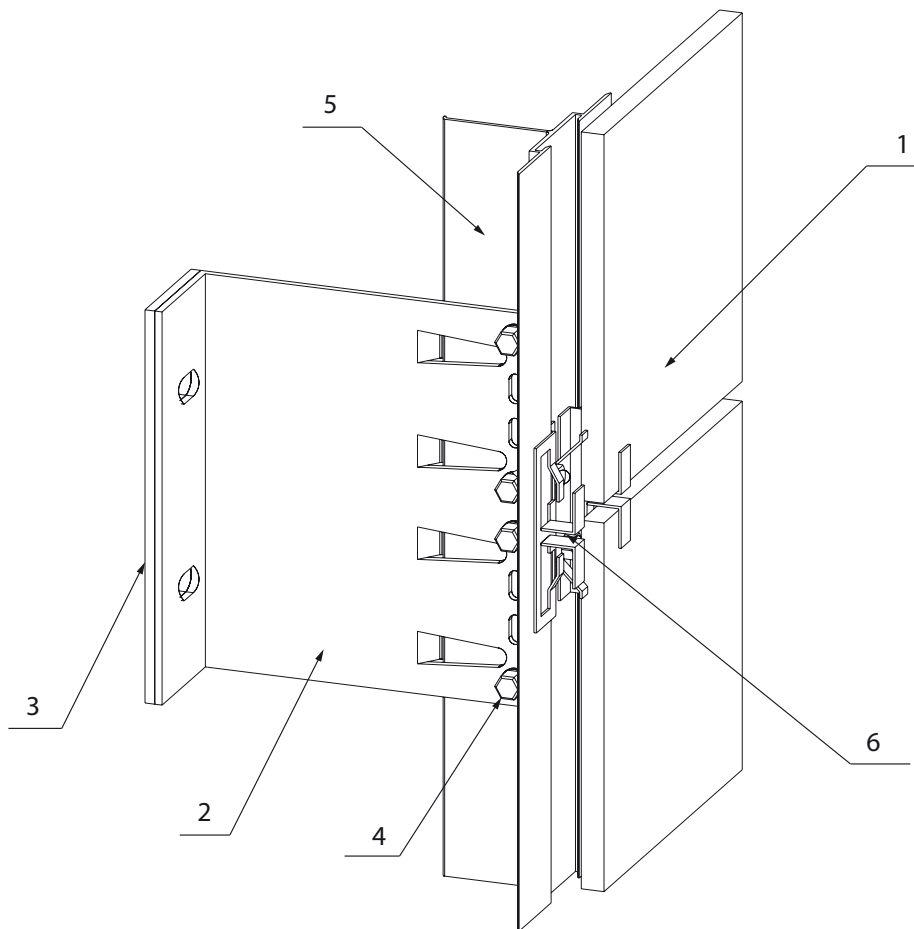
Type	Thickness	Characteristics
LAMINAM 3+	3,5	A 3.5mm-thick slab with a fibreglass mat attached to the back
LAMINAM 5+	5,5	A 5.5mm-thick slab without the reinforcing mat
LAMINAM 7	7	Two 2mm-thick slabs put together with a fibreglass mat between them

Wido-Ceramic - ASSEMBLING FAÇADE CERAMICS

Wido-Ceramic System

Assembling Laminam ceramic slabs

In addition to its well-recognised products, Wido-Profil offers an assembly system for flat and three-dimensional ceramics. The slabs are fixed to the substructure with the use of stainless steel plates with clamps. The plates, which are fixed to the Wido-Grip substructure, enable the assemblage of 8-to-13 mm-thick slabs.



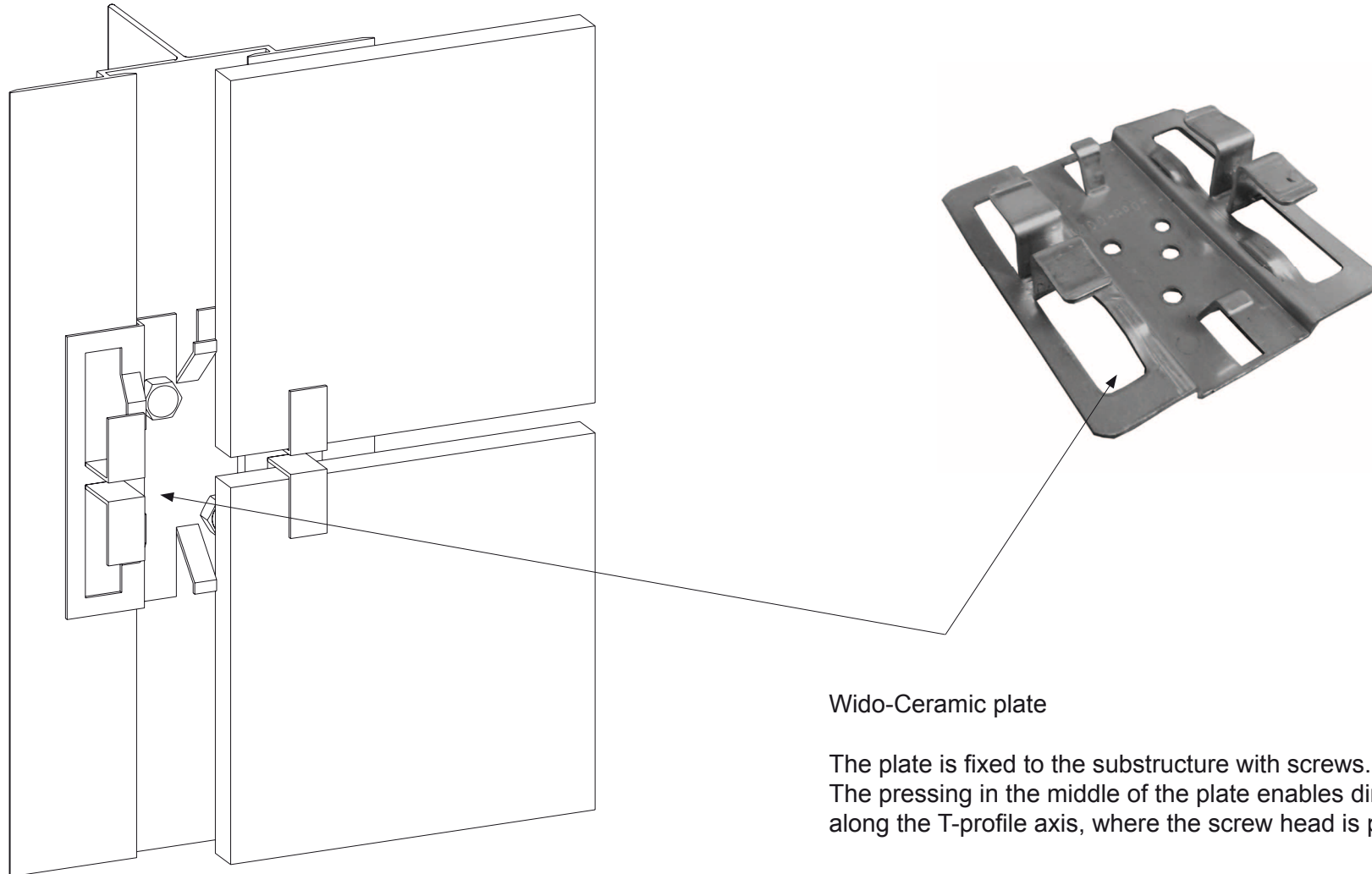
Legend:

1. Ceramic slab
2. Wido-Grip aluminium double bracket
3. Wido-Grip insulation washer
4. Screw or rivet
5. Wido-Grip aluminium supporting T-profile
6. Wido-Ceramic middle plate

The Wido-Grip system provides the supporting structure for Wido-Ceramic; the plates are fixed to T-type or L-type profiles.

The mechanical assemblage of façade ceramics can be carried out in inconvenient weather conditions.

Wido-Ceramic system – characteristics



Wido-Ceramic plate


The plate is fixed to the substructure with screws.
The pressing in the middle of the plate enables directing it
along the T-profile axis, where the screw head is placed.


Wido-Ceramic System Exemplary bracket arrangement

Legend:

a - distance between vertical profiles

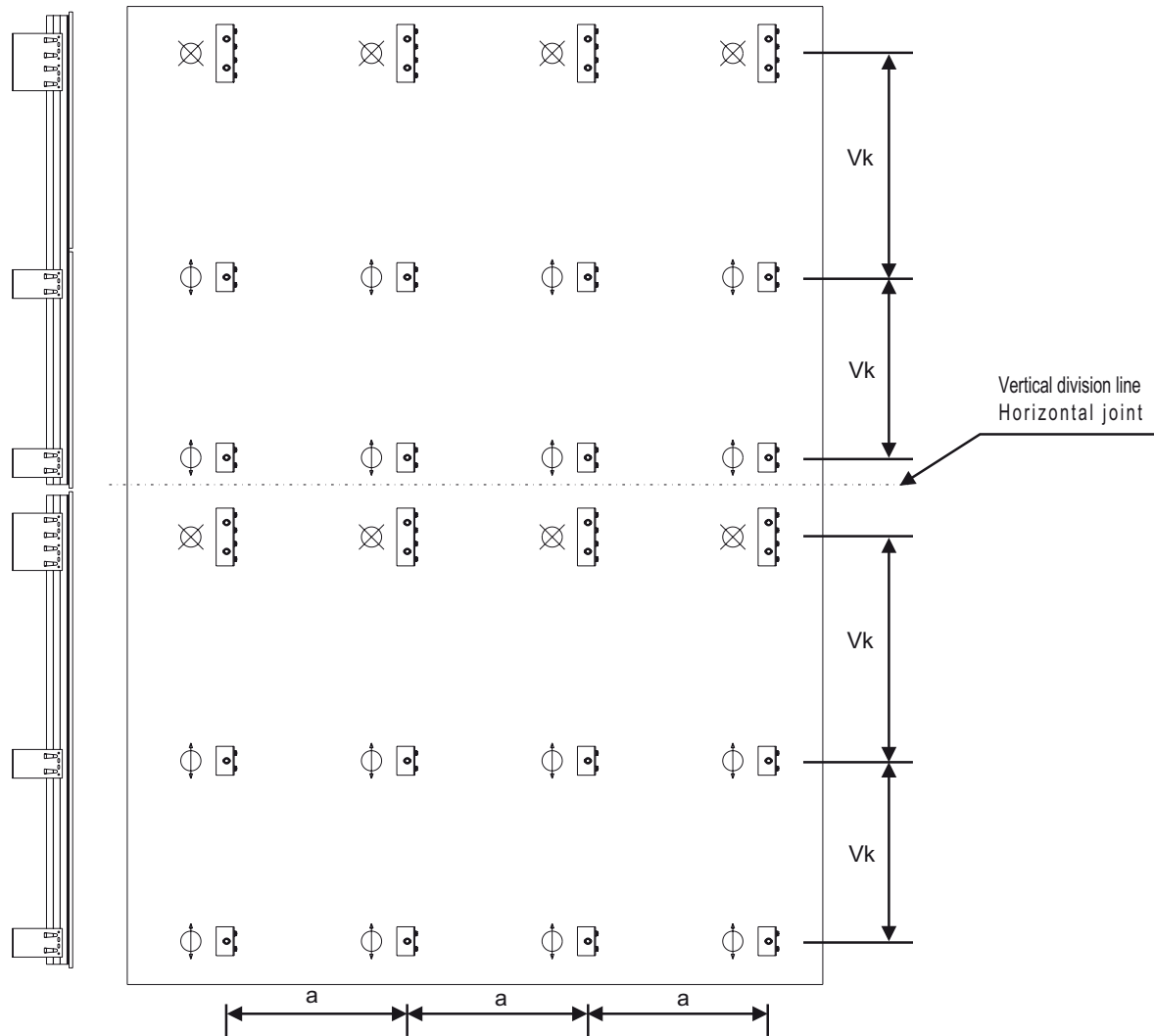
V_k – vertical distances between bracket axes

 Supporting brackets – fixed points of vertical Wido-Grip profiles

 Retaining brackets – moving points of vertical Wido-Grip profiles

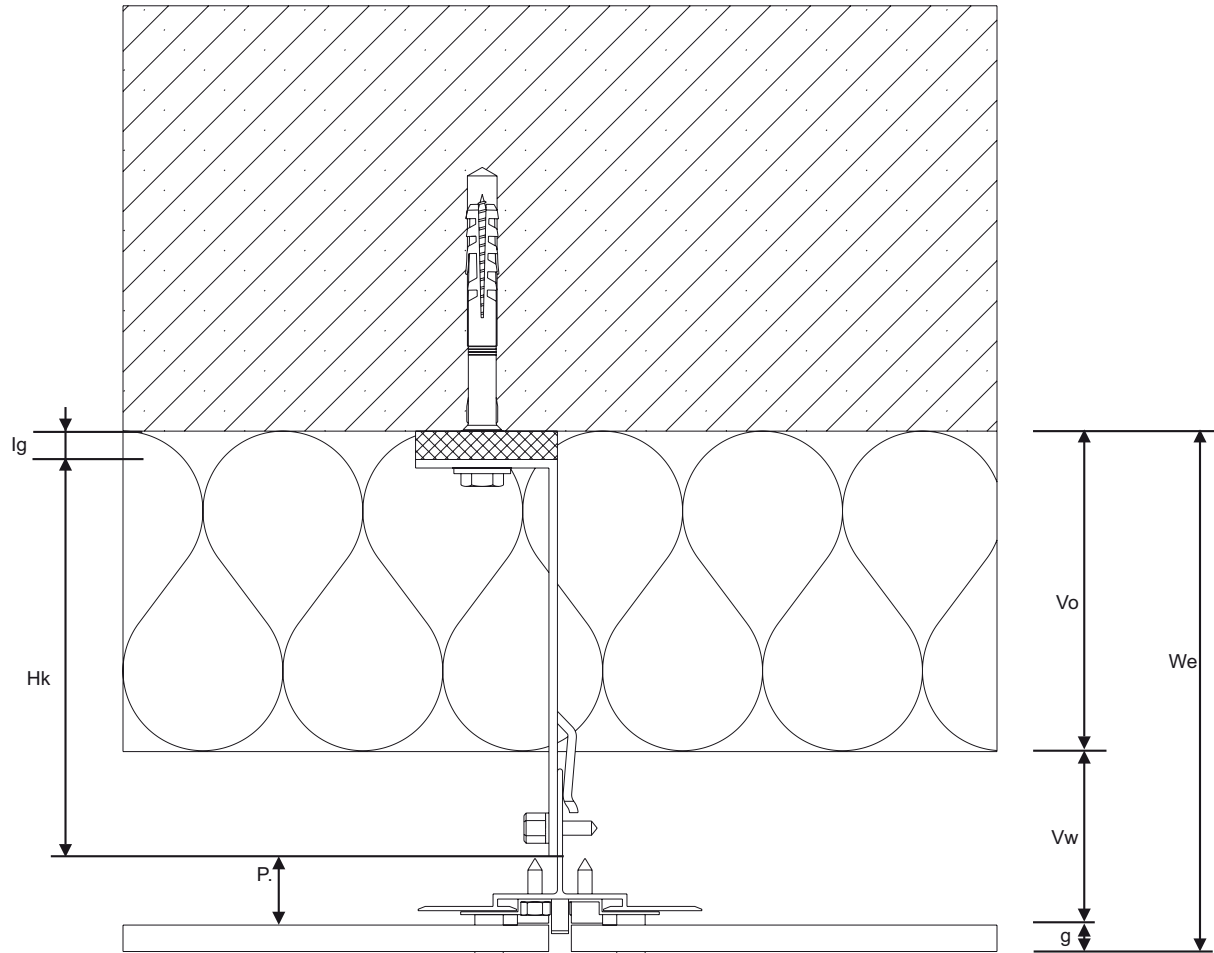
Usually, the supporting bracket is a double bracket.

The distance between vertical profile axes equals the slab width plus the joint width; the profile axes constitute the joint axes.



Wido-Ceramic System

Calculating bracket height on the basis of elevation outreach



Elevation outreach is the basic factor determining the height of the bracket. While choosing the bracket, you should consider the unevenness of the surface. The vertical adjustment of Wido-Grip profiles should be made possible.

$$Hk = We - (g+P+lg)$$

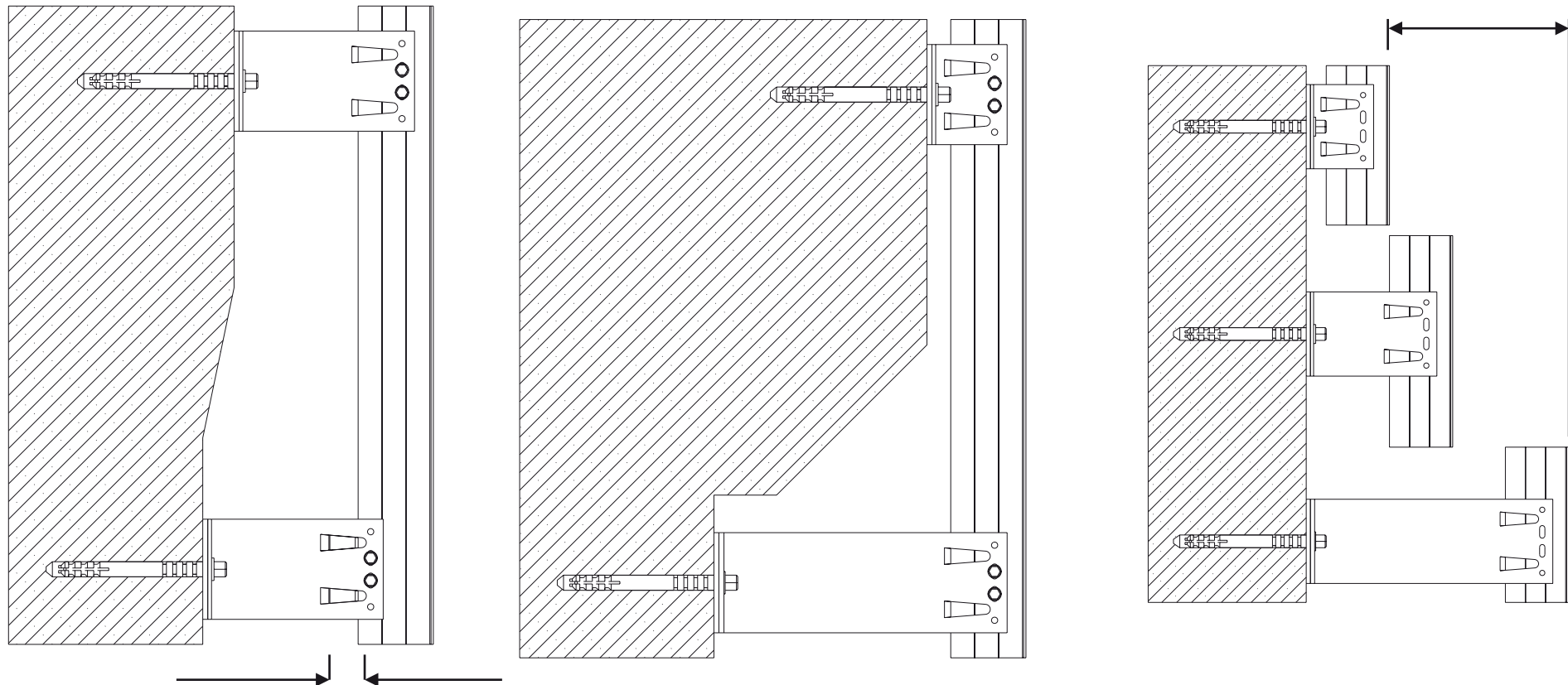
Legend:

- We – elevation outreach
- Vo – thermal insulation thickness
- Vw – ventilation clearance (minimum 20 mm)
- g – Laminam slab thickness
- P – the height of the substructure between the bracket and the slab
- lg – the thickness of Wido-Grip insulation washer
- Hk – the height of Wido-Grip bracket

Wido-Ceramic System

Levelling the unevenness of the building surface

Adjusting façade outreach through the change of bracket size



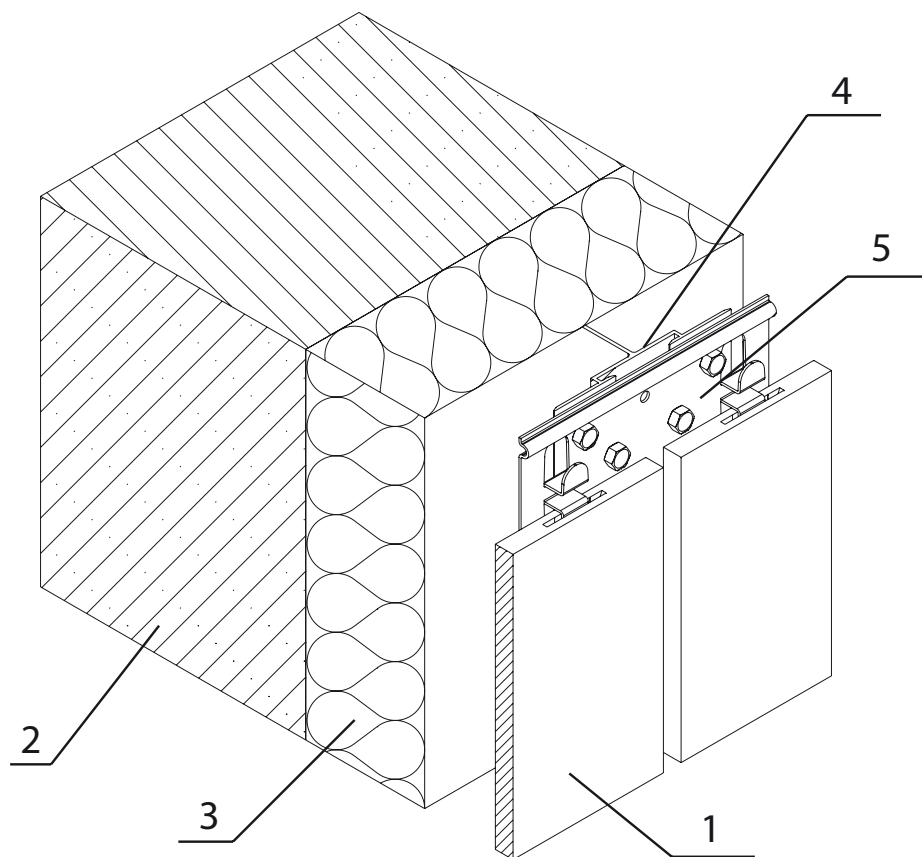
Adjusting a single bracket

When the adjustment of a single bracket is insufficient, you can exchange the bracket for a smaller or bigger one. Wido-Grip aluminium brackets are produced in the following sizes: 60, 80, 100, 120, 140, 160, 180, 200 and 230 mm.

For greater outreaches, stainless steel brackets or bracket lengthening devices should be used.

Assembling Laminam ceramic slabs with Wido-Ceramic system Milled ceramic slabs

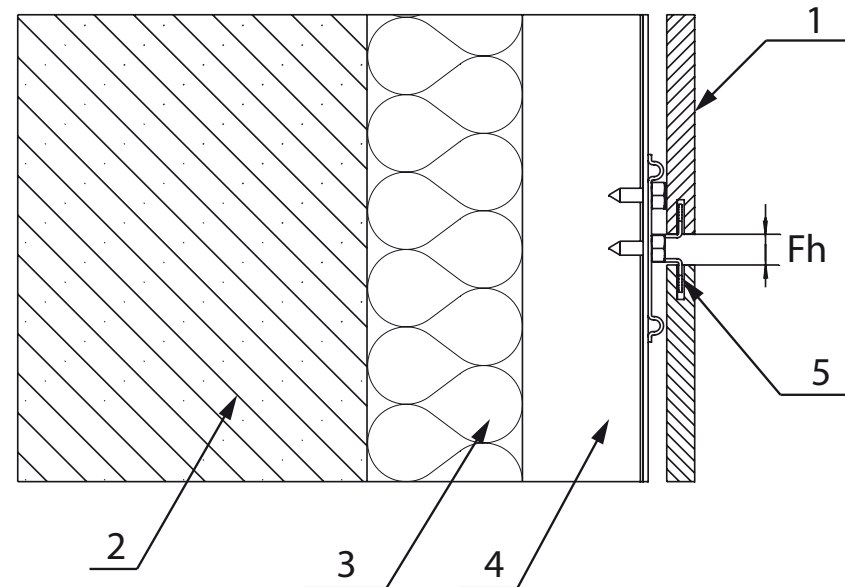
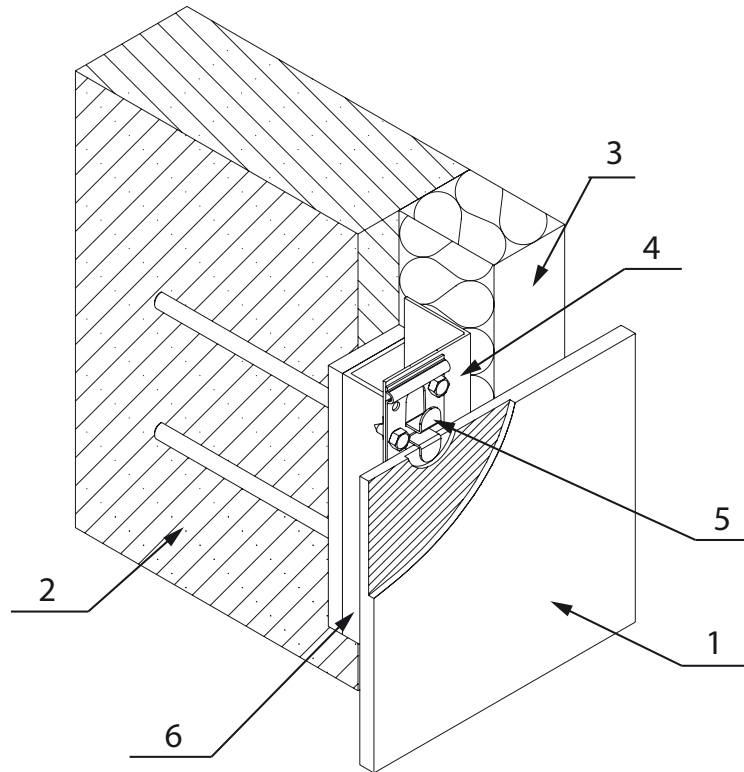
The system for assembling ceramic slabs milled in their thickness enables their concealed fixing; the surface remains smooth and the fixing points are invisible. Owing to climate conditions, in Poland the system is recommended for interior design. The slabs should be equipped with a reinforcing mat.



Legend:

1. Slab
2. Building wall
3. Insulation layer
4. Wido-Grip aluminium supporting T-profile
5. Double plate for milled ceramic slabs

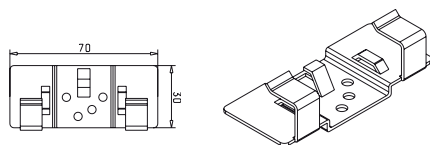
Assembling Laminam ceramic slabs with Wido-Ceramic system Milled ceramic slabs



Legend:

1. Slab
2. Building wall
3. Insulation layer
4. Wido-Grip aluminium supporting T-type or L-type profile
5. Plate for milled ceramic slabs
6. Wido-Grip double bracket

Wido-Ceramic elements Stainless steel plates



21-200547

Błaszka startowa do elewacji ceramicznej – 6 mm – inox
Starting plate for ceramic façades – 6 mm – inox
Start-Blechlamelle für Keramikfassaden – 6 mm – inox

21-200550

Błaszka startowa do elewacji ceramicznej – 7 mm – inox
Starting plate for ceramic façades – 7 mm – inox
Start-Blechlamelle für Keramikfassaden – 7 mm – inox

21-200453

Błaszka startowa do elewacji ceramicznej – 8 mm – inox
Starting plate for ceramic façades – 8 mm – inox
Start-Blechlamelle für Keramikfassaden – 8 mm – inox

21-200454

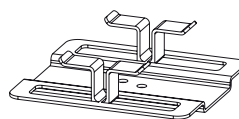
Błaszka startowa do elewacji ceramicznej – 10,5 mm – inox
Starting plate for ceramic façades – 10.5 mm – inox
Start-Blechlamelle für Keramikfassaden – 10.5 mm – inox

21-200455

Błaszka startowa do elewacji ceramicznej – 11 mm – inox
Starting plate for ceramic façades – 11 mm – inox
Start-Blechlamelle für Keramikfassaden – 11 mm – inox

21-200456

Błaszka startowa do elewacji ceramicznej – 12 mm – inox
Starting plate for ceramic façades – 12mm – inox
Start-Blechlamelle für Keramikfassaden – 12 mm – inox



21-200548

Błaszka środkowa do elewacji ceramicznej – 6 mm – inox
Middle plate for ceramic façades – 6 mm – inox
Mittenlamelle für Keramikfassaden – 6 mm – inox

21-200551

Błaszka środkowa do elewacji ceramicznej – 7 mm – inox
Middle plate for ceramic façades – 7 mm – inox
Mittenlamelle für Keramikfassaden – 7 mm – inox

21-200457

Błaszka środkowa do elewacji ceramicznej – 8 mm – inox
Middle plate for ceramic façades – 8 mm – inox
Mittenlamelle für Keramikfassaden – 8 mm – inox

21-200458

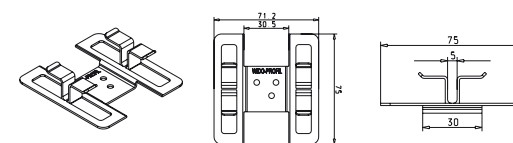
Błaszka środkowa do elewacji ceramicznej – 10,5 mm – inox
Middle plate for ceramic façades – 10.5 mm – inox
Mittenlamelle für Keramikfassaden – 10.5 mm – inox

21-200459

Błaszka środkowa do elewacji ceramicznej – 11 mm – inox
Middle plate for ceramic façades – 11 mm – inox
Mittenlamelle für Keramikfassaden – 11 mm – inox

21-200460

Błaszka środkowa do elewacji ceramicznej – 12 mm – inox
Middle plate for ceramic façades – 12 mm – inox
Mittenlamelle für Keramikfassaden – 12 mm – inox



21-200549

Błaszka środkowa podtrzymująca do elewacji ceramicznej – 6 mm – inox
Middle supporting plate for ceramic façades – 6 mm – inox
Stütz-Mittenlamelle für Keramikfassaden – 6 mm – inox

21-200552

Błaszka środkowa podtrzymująca do elewacji ceramicznej – 7 mm – inox
Middle supporting plate for ceramic façades – 7 mm – inox
Stütz-Mittenlamelle für Keramikfassaden – 7 mm – inox

21-200471

Błaszka środkowa podtrzymująca do elewacji ceramicznej – 8 mm – inox
Middle supporting plate for ceramic façades – 8mm – inox
Stütz-Mittenlamelle für Keramikfassaden – 8 mm – inox

21-200472

Błaszka środkowa podtrzymująca do elewacji ceramicznej – 10,5 mm – inox
Middle supporting plate for ceramic façades – 10.5 mm – inox
Stütz-Mittenlamelle für Keramikfassaden – 10.5 mm – inox

21-200473

Błaszka środkowa podtrzymująca do elewacji ceramicznej – 11 mm – inox
Middle supporting plate for ceramic façades – 11 mm – inox
Stütz-Mittenlamelle für Keramikfassaden – 11 mm – inox

55-100474

Błaszka środkowa podtrzymująca do elewacji ceramicznej – 12 mm – inox
Middle supporting plate for ceramic façades – 12 mm – inox
Stütz-Mittenlamelle für Keramikfassaden – 12 mm – inox

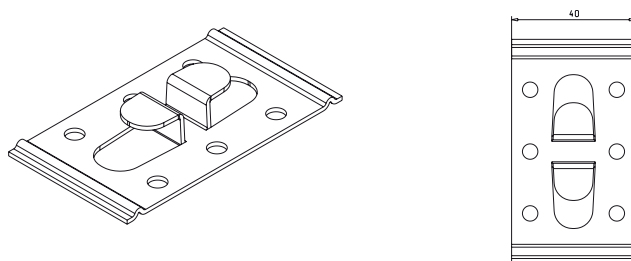
Wido-Ceramic - ASSEMBLING FAÇADE CERAMICS

Wido-Ceramic elements

Stainless steel plates for milled ceramics

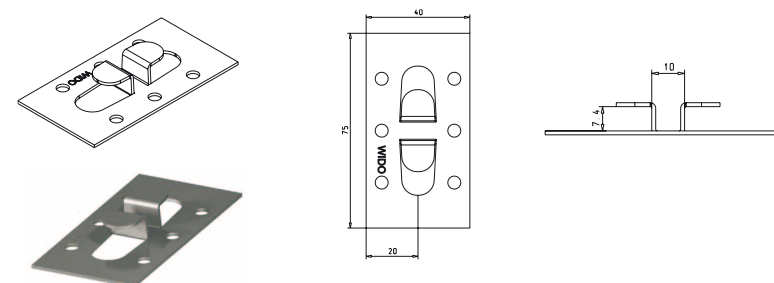
21-200467

Błaszka do ceramiki frezowanej, tłoczona, pojedyncza – inox
Single pressed plate for milled ceramics – inox
Blechlamente für Fräskeramik, einfach – inox



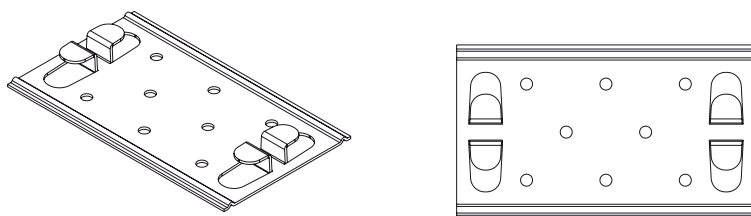
21-200553

Błaszka do ceramiki frezowanej, płaska, pojedyncza – inox
Single flat plate for milled ceramics – inox
Blechlamente für Fräskeramik, einfach – inox



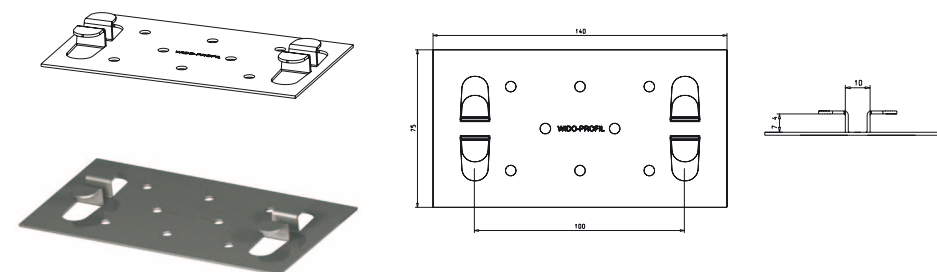
21-200468

Błaszka do ceramiki frezowanej, tłoczona, podwójna – inox
Double pressed plate for milled ceramics – inox
Blechlamente für Fräskeramik, doppelt – inox



21-200554

Błaszka do ceramiki frezowanej, płaska, podwójna – inox
Double flat plate for milled ceramics – inox
Blechlamente für Fräskeramik, doppelt – inox

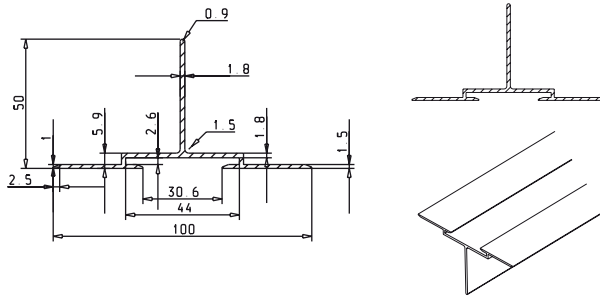


Wido-Grip elements Aluminium profiles



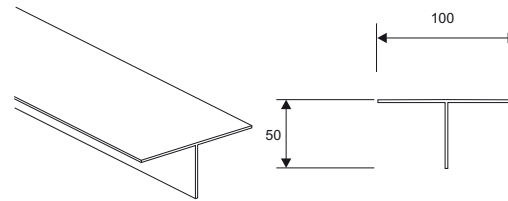
00-100228

T-profil fasadowy 100x50 – aluminium
Aluminium T-profile 100x50 mm
T-Profilstück für Fassaden 100x50 – aluminium



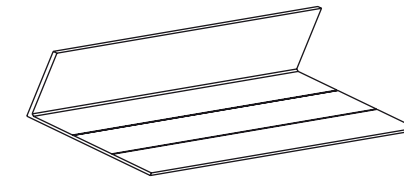
50-100346

T-profil 100x50x2 – aluminium
Aluminium T-profile 100x50x2 mm
T-Profilstück 100x50x2 – aluminium



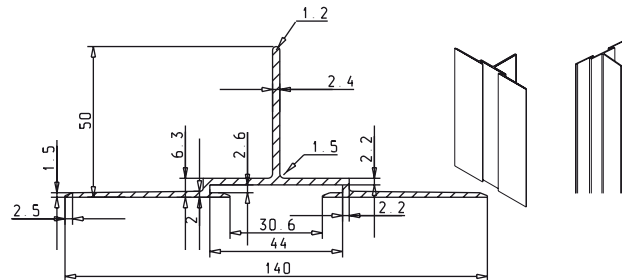
50-100376

L-profil 60*45 mm – aluminium
Aluminium L-profile 60*45 mm
L-Profilstück 60*45 mm – aluminium



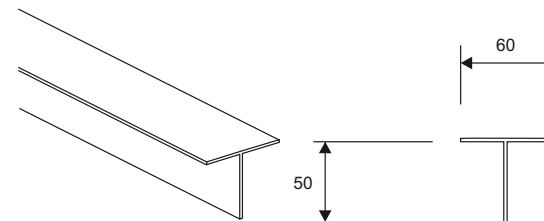
00-100263

T-profil fasadowy 140x50 – aluminium
Aluminium T-profile 140x50 mm
T-Profilstück für Fassaden 140x50 – aluminium



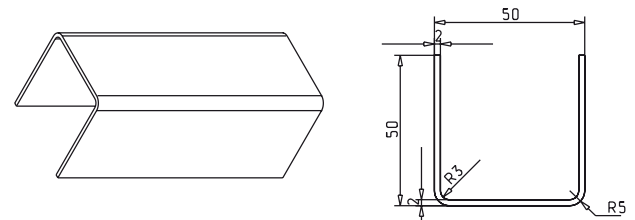
50-100475

T-profil 60x50x2 – aluminium
Aluminium T-profile 60x50x2
T-Profilstück 60x50x2 – aluminium



01-100504

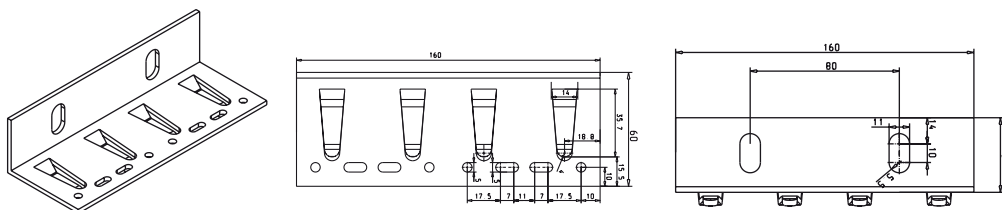
C-profil 50x50x2 – aluminium
Aluminium C-profile 50x50x2
C-Profilstück 50x50x2 – aluminium



Wido-Grip elements Aluminium brackets 60

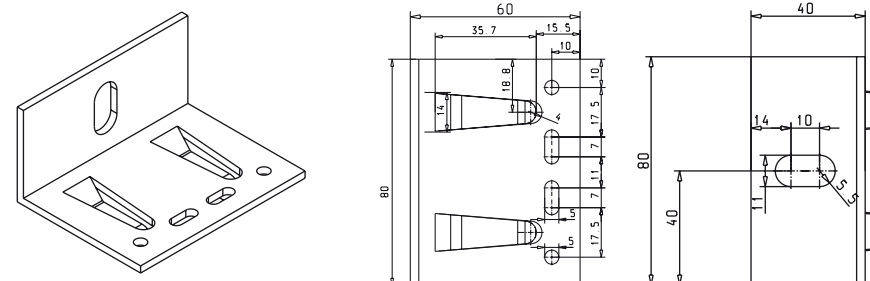
52-100351

Podwójna konsola 160-60x40x3 Ø 11 – aluminium
Aluminium double bracket 160-60x40x3 Ø 11
Tragkonstruktion doppelt 160-60x40x3 Ø 11 – aluminium



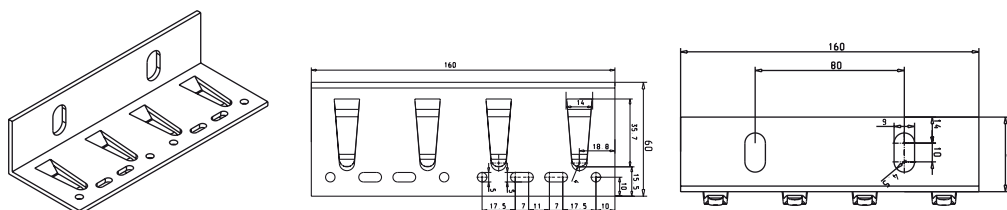
51-100347

Konsola 80-60x40x3 Ø 11 – aluminium
Aluminium bracket 80-60x40x3 Ø 11
Tragkonstruktion 80-60x40x3 Ø 11 – aluminium



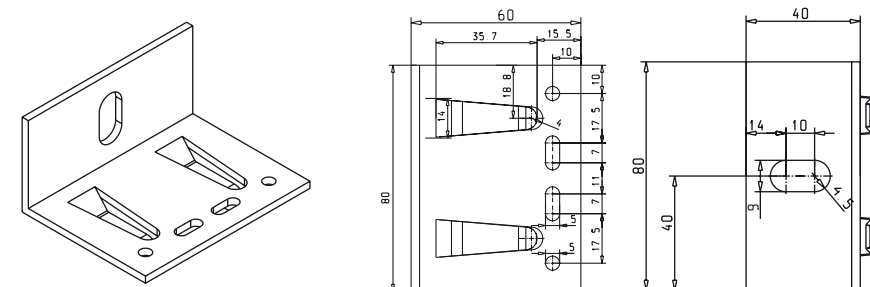
52-100352

Podwójna konsola 160-60x40x3 Ø 9 – aluminium
Aluminium double bracket 160-60x40x3 Ø 9
Tragkonstruktion doppelt 160-60x40x3 Ø 9 – aluminium



51-100348

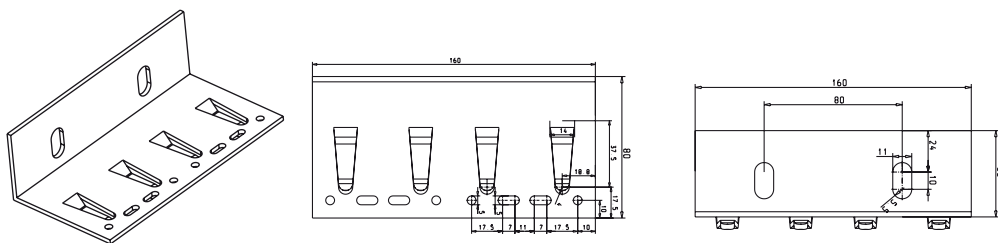
Konsola 80-60x40x3 Ø 9 – aluminium
Aluminium bracket 80-60x40x3 Ø 9
Tragkonstruktion 80-60x40x3 Ø 9 – aluminium



Wido-Grip elements Aluminium brackets 80

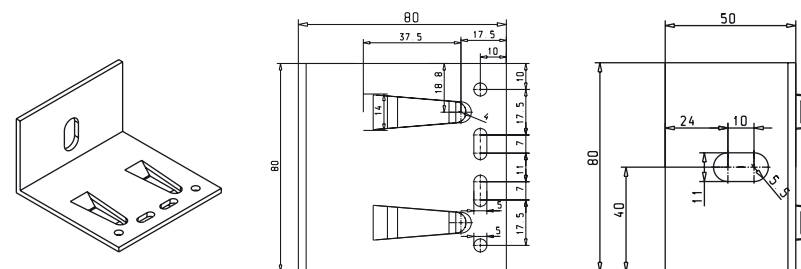
52-100356

Podwójna konsola 160-80x50x3 Ø 11 – aluminium
Aluminium double bracket 160-80x50x3 Ø 11
Tragkonstruktion doppelt 160-80x50x3 Ø 11 – aluminium



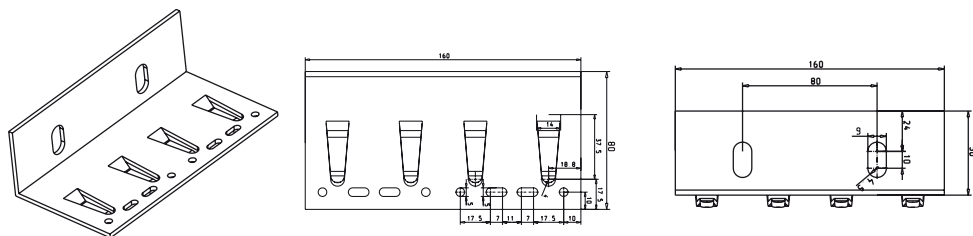
51-100353

Konsola 80-80x50x3 Ø 11 – aluminium
Aluminium bracket 80-80x50x3 Ø 11
Tragkonstruktion 80-80x50x3 Ø 11 – aluminium



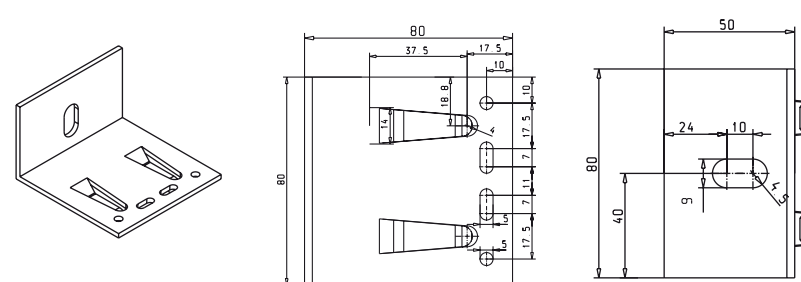
52-100357

Podwójna konsola 160-80x50x3 Ø 9 – aluminium
Aluminium double bracket 160-80x50x3 Ø 9
Tragkonstruktion doppelt 160-80x50x3 Ø 9 – aluminium



51-100354

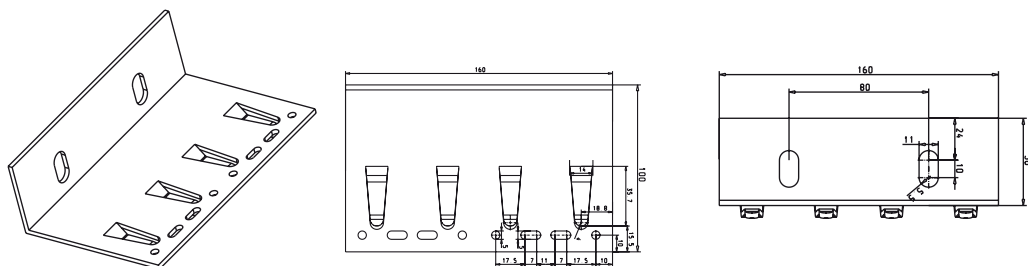
Konsola 80-80x50x3 Ø 9 – aluminium
Aluminium bracket 80-80x50x3 Ø 9
Tragkonstruktion 80-80x50x3 Ø 9 – aluminium



Wido-Grip elements Aluminium brackets 100

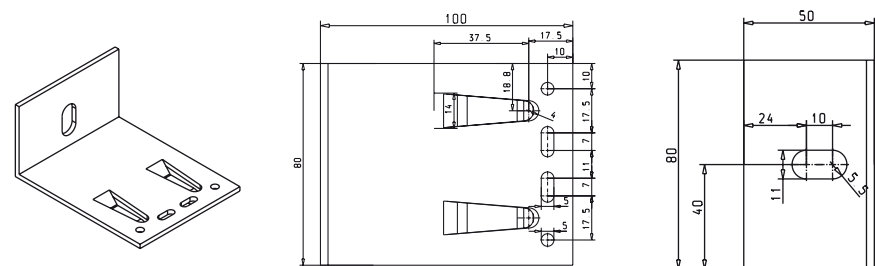
52-100360

Podwójna konsola 160-100x50x3 Ø 11 – aluminium
Aluminium double bracket 160-100x50x3 Ø 11
Tragkonstruktion doppelt 160-100x50x3 Ø 11 – aluminium



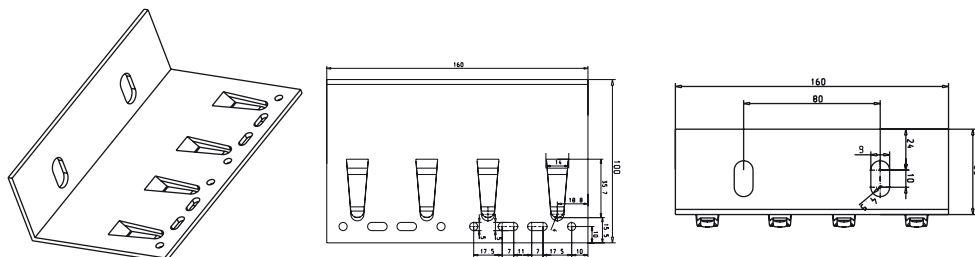
51-100358

Konsola 80-100x50x3 Ø 11 – aluminium
Aluminium bracket 80-100x50x3 Ø 11
Tragkonstruktion 80-100x50x3 Ø 11 – aluminium



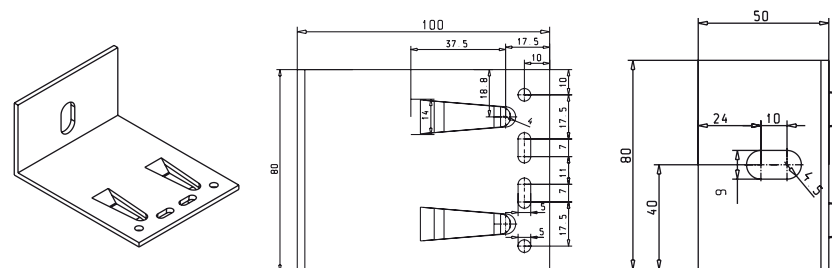
52-100361

Podwójna konsola 160-100x50x3 Ø 9 – aluminium
Aluminium double bracket 160-100x50x3 Ø 9
Tragkonstruktion doppelt 160-100x50x3 Ø 9 – aluminium



51-100359

Konsola 80-100x50x3 Ø 9 – aluminium
Aluminium bracket 80-100x50x3 Ø 9
Tragkonstruktion 80-100x50x3 Ø 9 – aluminium

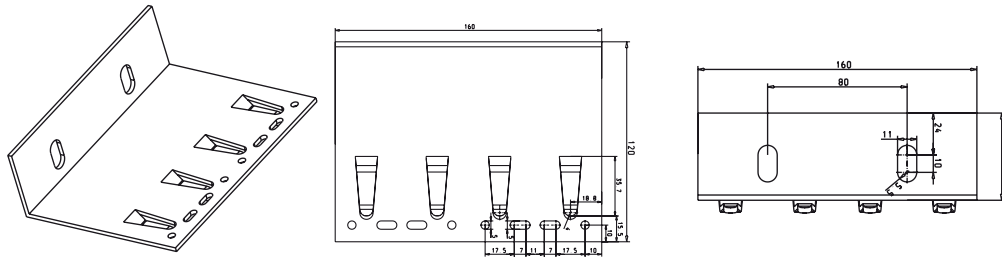


Wido-Grip elements Aluminium brackets 120



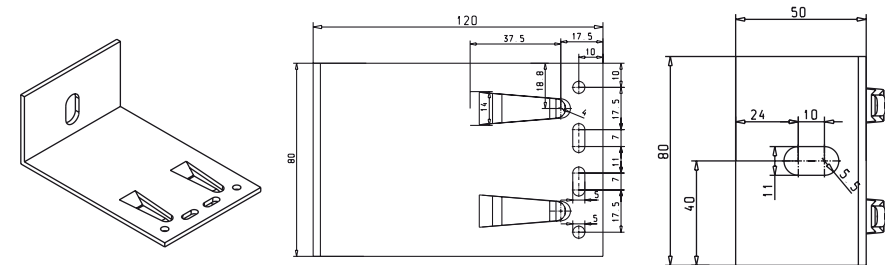
52-100364

Podwójna konsola 160-120x50x3 Ø 11 – aluminium
Aluminium double bracket 160-120x50x3 Ø 11
Tragkonstruktion doppelt 160-120x50x3 Ø 11 – aluminium



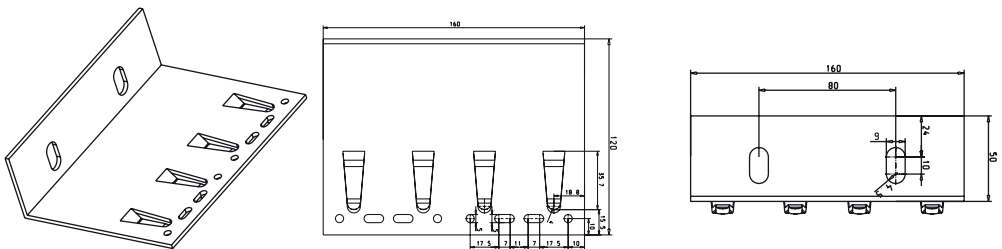
51-100362

Konsola 80-120x50x3 Ø 11 – aluminium
Aluminium bracket 80-120x50x3 Ø 11
Tragkonstruktion 80-120x50x3 Ø 11 – aluminium



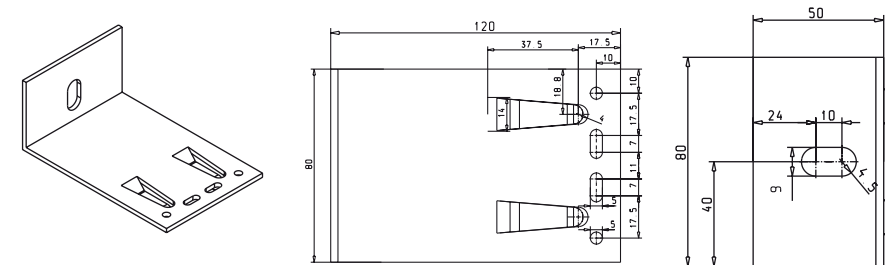
52-100365

Podwójna konsola 160-120x50x3 Ø 9 – aluminium
Aluminium double bracket 160-120x50x3 Ø 9
Tragkonstruktion doppelt 160-120x50x3 Ø 9 – aluminium



51-100363

Konsola 80-120x50x3 Ø 9 – aluminium
Aluminium bracket 80-120x50x3 Ø 9
Tragkonstruktion 80-120x50x3 Ø 9 – aluminium

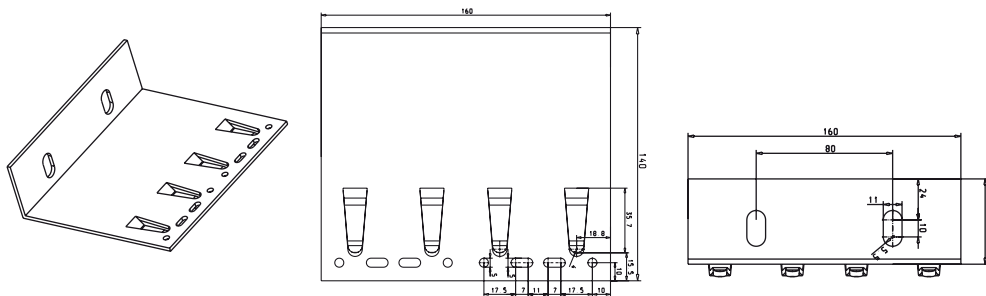


Wido-Grip elements Aluminium brackets 140



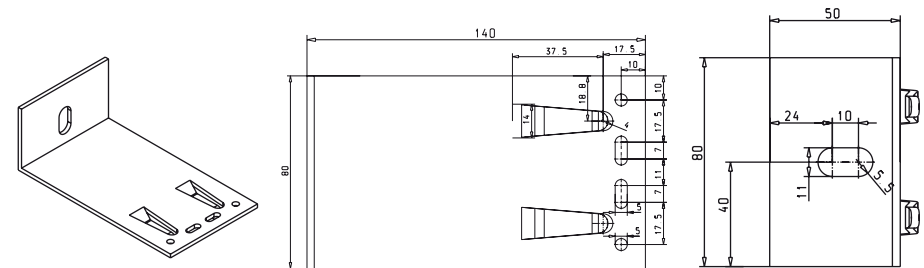
52-100368

Podwójna konsola 160-140x50x3 Ø 11 – aluminium
Aluminium double bracket 160-140x50x3 Ø 11
Tragkonstruktion doppelt 160-140x50x3 Ø 11 – aluminium



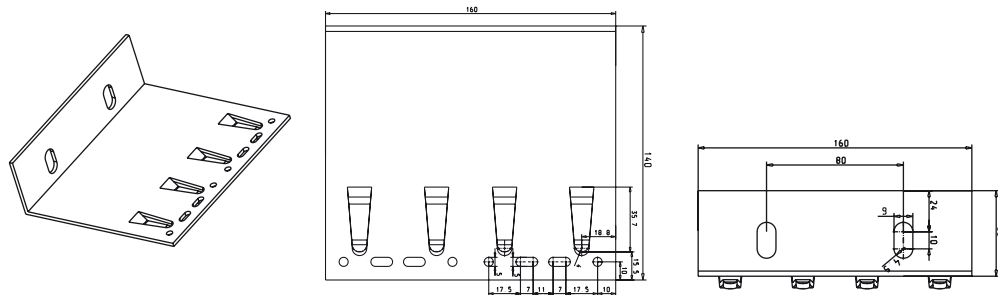
51-100366

Konsola 80-140x50x3 Ø 11 – aluminium
Aluminium bracket 80-140x50x3 Ø 11
Tragkonstruktion 80-140x50x3 Ø 11 – aluminium



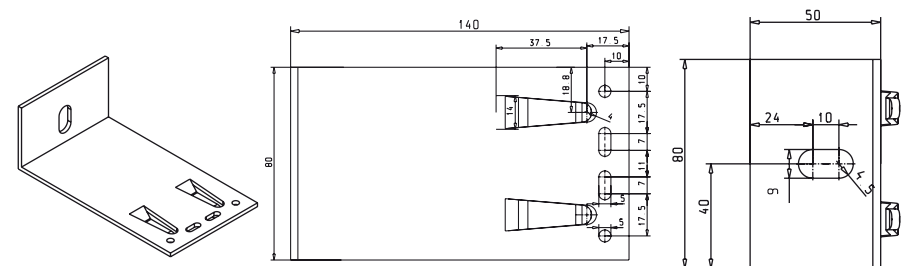
52-100369

Podwójna konsola 160-140x50x3 Ø 9 – aluminium
Aluminium double bracket 160-140x50x3 Ø 9
Tragkonstruktion doppelt 160-140x50x3 Ø 9 – aluminium



51-100367

Konsola 80-140x50x3 Ø 9 - aluminium
Aluminium bracket 80-140x50x3 Ø 9
Tragkonstruktion 80-140x50x3 Ø 9 – aluminium

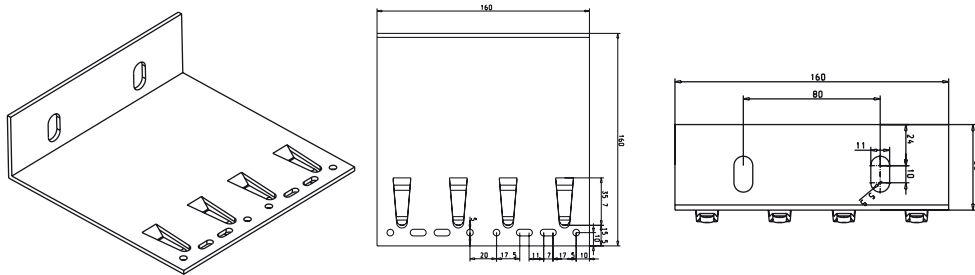


Wido-Ceramic - ASSEMBLING FAÇADE CERAMICS

Wido-Grip elements Aluminium brackets 160

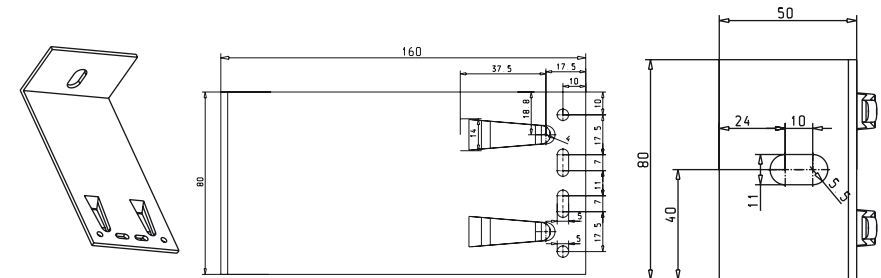
52-100372

Podwójna konsola 160-160x50x3 Ø 11 – aluminium
Aluminium double bracket 160-160x50x3 Ø 11
Tragkonstruktion doppelt 160-160x50x3 Ø 11 – aluminium



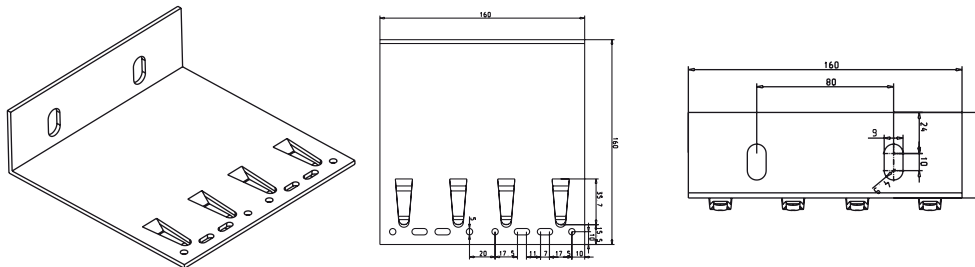
51-100370

Konsola 80-160x50x3 Ø 11 – aluminium
Aluminium bracket 80-160x50x3 Ø 11
Tragkonstruktion 80-160x50x3 Ø 11 – aluminium



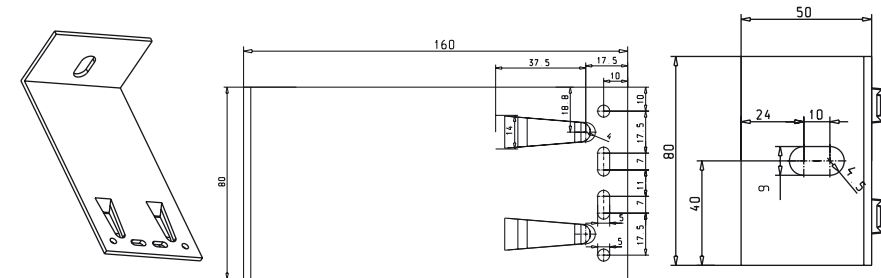
52-100373

Podwójna konsola 160-160x50x3 Ø 9 – aluminium
Aluminium double bracket 160-160x50x3 Ø 9
Tragkonstruktion 160-160x50x3 Ø 9 – aluminium



51-100371

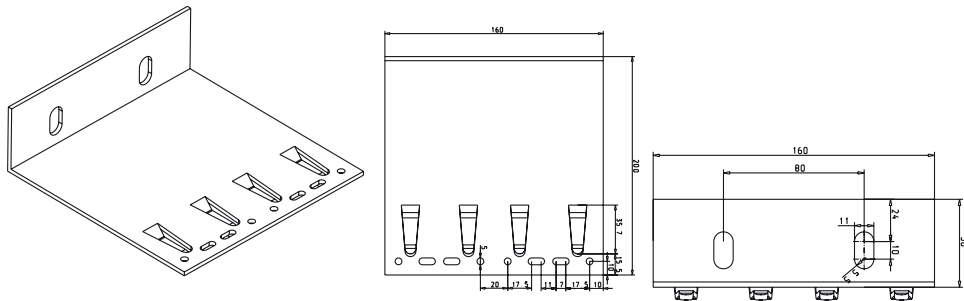
Konsola 80-160x50x3 Ø 9 – aluminium
Aluminium bracket 80-160x50x3 Ø 9
Tragkonstruktion 80-160x50x3 Ø 9 – aluminium



Wido-Grip elements Aluminium brackets 200

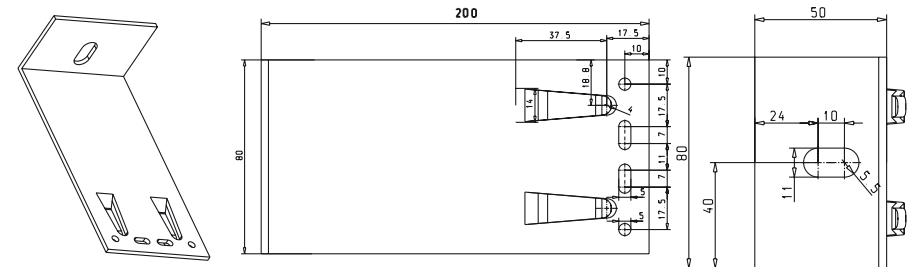
52-100384

Podwójna konsola aluminiowa 160-200x50x3 Ø 11
Aluminium double bracket 160-200x50x3 Ø 11
Tragkonstruktion doppelt 160-200x50x3 Ø 11 – aluminium



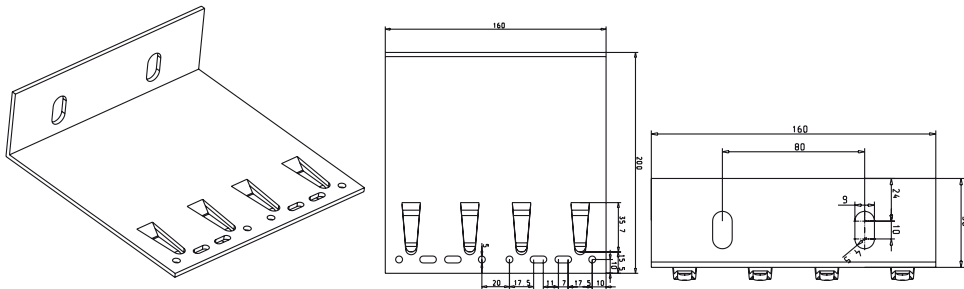
51-100382

Konsola aluminiowa 80-200x50x3 Ø 11
Aluminium bracket 80-200x50x3 Ø 11
Tragkonstruktion 80-200x50x3 Ø 11 – aluminium



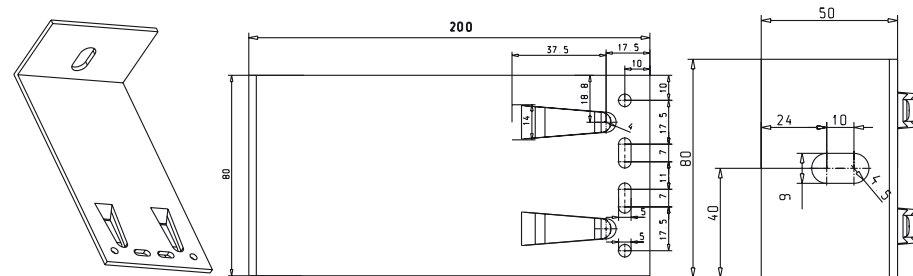
52-100385

Podwójna konsola aluminiowa 160-200x50x3 Ø 9
Aluminium double bracket 160-200x50x3 Ø 9
Tragkonstruktion doppelt 160-200x50x3 Ø 9 – aluminium



51-100383

Konsola aluminiowa 80-200x50x3 Ø 9
Aluminium bracket 80-200x50x3 Ø 9
Tragkonstruktion 80-200x50x3 Ø 9 – aluminium

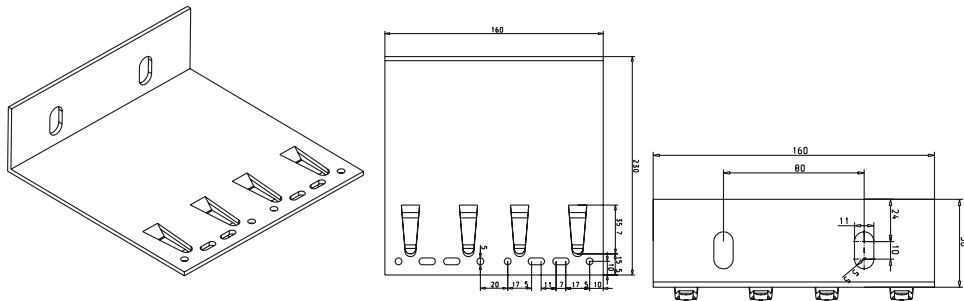


Wido-Grip elements Aluminium brackets 230



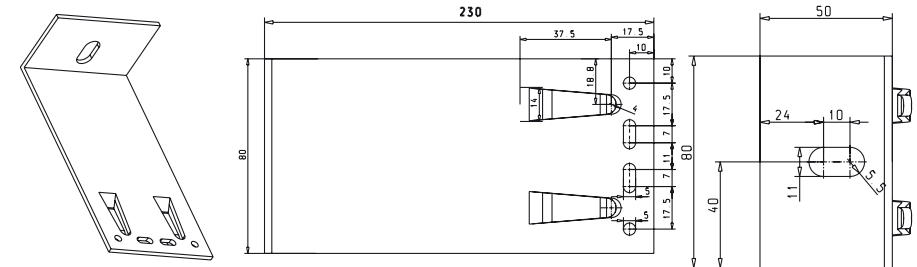
52-100443

Podwójna konsola aluminiowa 160-230x50x3 Ø 11
Aluminium double bracket 160-230x50x3 Ø 11
Tragkonstruktion doppelt 160-230x50x3 Ø 11 – aluminium



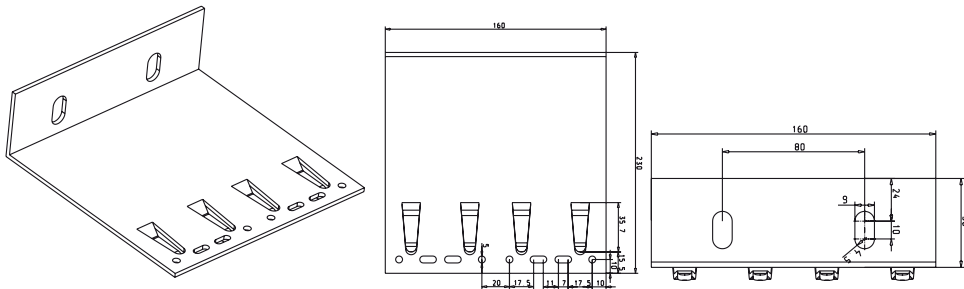
51-100441

Konsola aluminiowa 80-230x50x3 Ø 11
Aluminum bracket 80-230x50x3 Ø 11
Tragkonstruktion 80-230x50x3 Ø 11 – aluminium



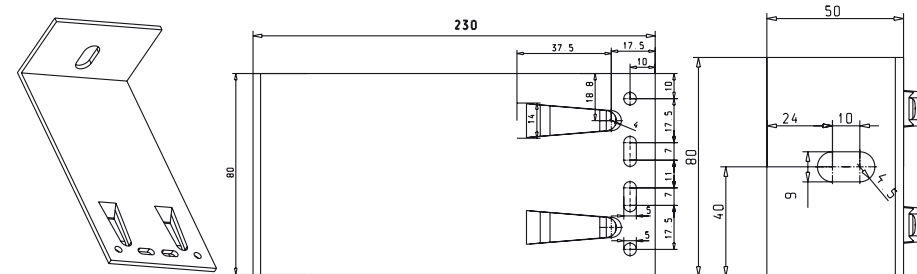
52-100444

Podwójna konsola aluminiowa 160-230x50x3 Ø 9
Aluminium double bracket 160-230x50x3 Ø 9
Tragkonstruktion doppelt 160-230x50x3 Ø 9 – aluminium



51-100442

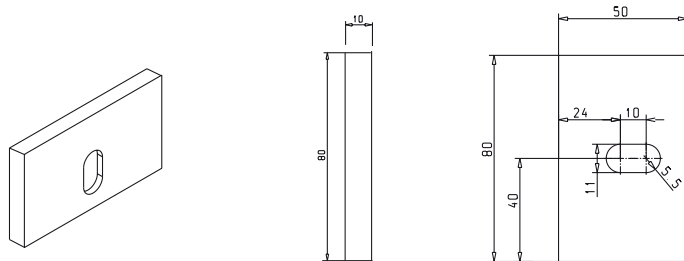
Konsola aluminiowa 80-230x50x3 Ø 9
Aluminium bracket 80-230x50x3 Ø 9
Tragkonstruktion 80-230x50x3 Ø 9 – aluminium



Wido-Grip elements Aluminium brackets

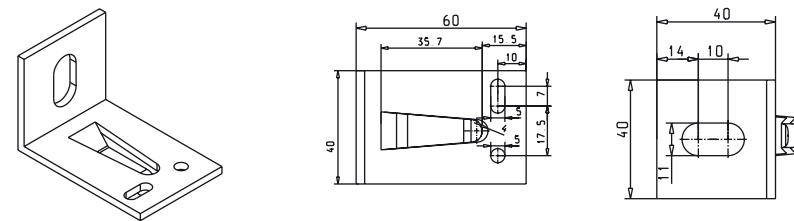
54-500355

Podkładka izolacyjna konsoli 80/50 – PCV
P.C.V. insulation washer for bracket 80/50
Unterlagsplatte für Tragkonstruktion 80/50



53-100349

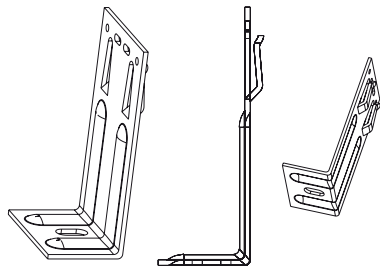
Konsola 40-60x40x3 Ø 11 – aluminium
Aluminium bracket 40-60x40x3 Ø 11
Tragkonstruktion 40-60x40x3 Ø 11 – aluminium



Stainless steel brackets

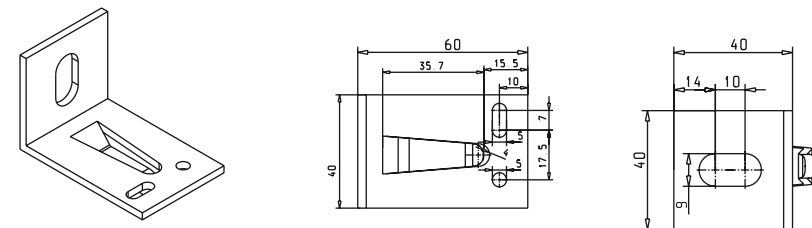
Wido-Profil also offers stainless steel brackets: a single bracket – 80 mm and a double bracket – 160 mm.

The length of brackets is determined by technical requirements of the design.



53-100350

Konsola 40-60x40x3 Ø 9 – aluminium
Aluminium bracket 40-60x40x3 Ø 9
Tragkonstruktion 40-60x40x3 Ø 9 – aluminium



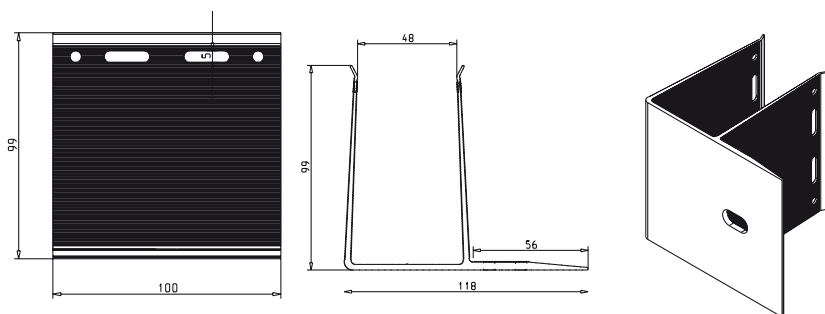
Elementy systemu Wido-Grip

Aluminium F-type brackets; Y-type fasteners for wooden structure



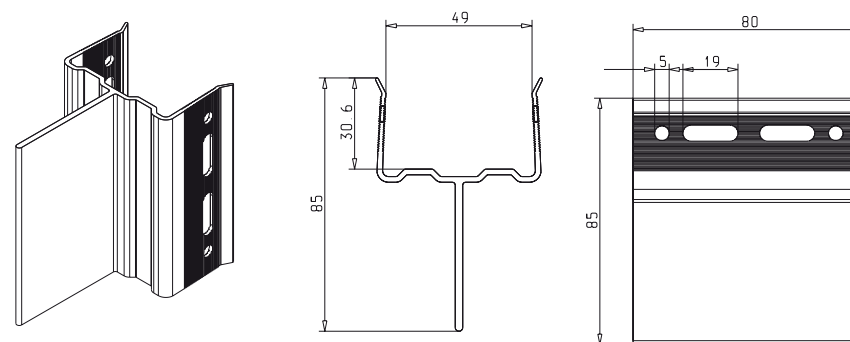
51-100497

Konsola „F” 100-100x118 Ø 11 – aluminium
 Aluminium F-bracket 100-100x118 Ø 11
 „F” Tragkonstruktion 100-100x118 Ø 11 – aluminium



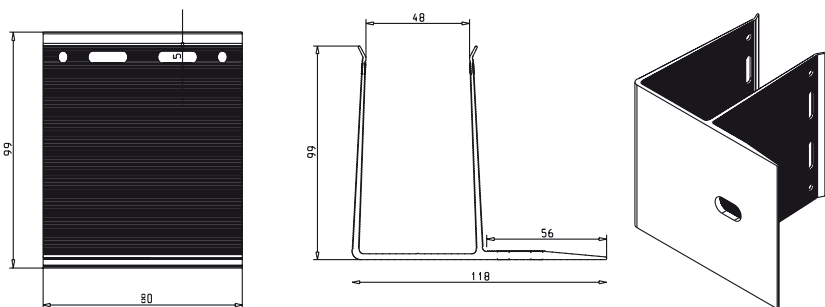
51-100520

Y-type fastener for a wooden structure or Ω-profile 80 mm



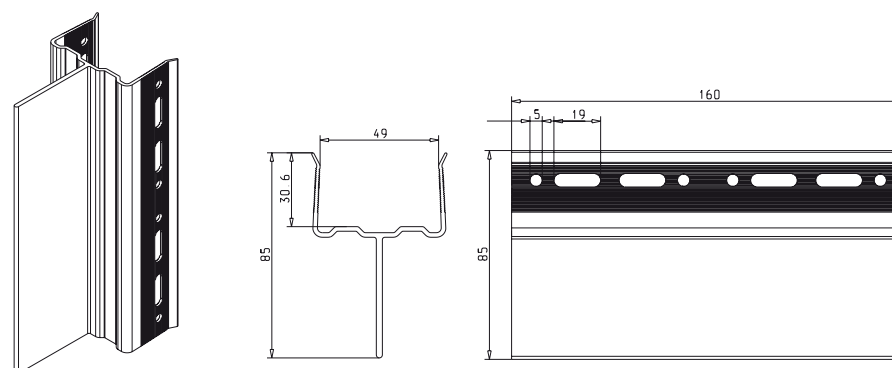
51-100505

Konsola „F” 80-100x118 Ø 11 – aluminium
 Aluminium F-bracket 80-100x118 Ø 11
 „F” Tragkonstruktion 80-100x118 Ø 11 – aluminium

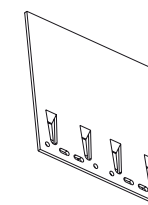


51-100521

Y-type fastener for a wooden structure or Ω-profile 160 mm



Wido-Grip elements Flat brackets



56-100386

Konsola aluminiowa płaska pojedyncza 80x150 #4mm
Aluminium single flat bracket 80x150 #4mm
Tragkonstruktion flach/einfach 80x150 #4mm – aluminium

57-100387

Konsola aluminiowa płaska podwójna 160x150 #4mm
Aluminium double flat bracket 160x150 #4mm
Tragkonstruktion flach/doppelt 160x150 #4mm – aluminium

56-100388

Konsola aluminiowa płaska pojedyncza 80x200 #4mm
Aluminium single flat bracket 80x200 #4mm
Tragkonstruktion flach/einfach 80x200 #4mm – aluminium

57-100389

Konsola aluminiowa płaska podwójna 160x200 #4mm
Aluminium double flat bracket 160x200 #4mm
Tragkonstruktion flach/doppelt 160x200 #4mm – aluminium

56-100390

Konsola aluminiowa płaska pojedyncza 80x250 #4mm
Aluminium single flat bracket 80x250 #4mm
Tragkonstruktion flach/einfach 80x250 #4mm – aluminium

57-100391

Konsola aluminiowa płaska podwójna 160x250 #4mm
Aluminium double flat bracket 160x250 #4mm
Tragkonstruktion flach/doppelt 160x250 #4mm – aluminium

56-100392

Konsola aluminiowa płaska pojedyncza 80x300 #4mm
Aluminium single flat bracket 80x300 #4mm
Tragkonstruktion flach/einfach 80x300 #4mm – aluminium

57-100393

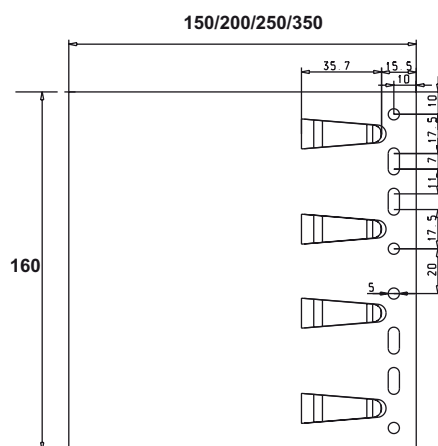
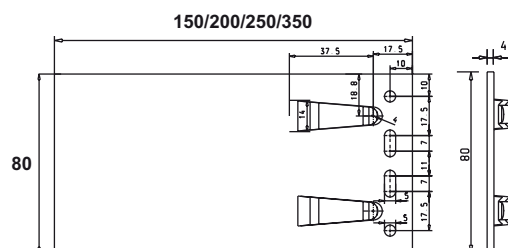
Konsola aluminiowa płaska podwójna 160x300 #4mm
Aluminium double flat bracket 160x300 #4mm
Tragkonstruktion flach/doppelt 160x300 #4mm – aluminium

56-100394

Konsola aluminiowa płaska pojedyncza 80x350 #4mm
Aluminium single flat bracket 80x350 #4mm
Tragkonstruktion flach/einfach 80x350 #4mm – aluminium

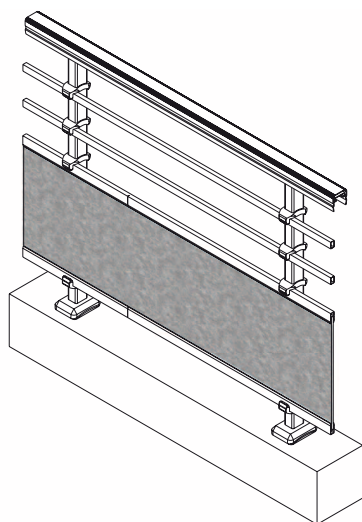
57-100395

Konsola aluminiowa płaska podwójna 160x350 #4mm
Aluminium double flat bracket 160x350 #4mm
Tragkonstruktion flach/doppelt 160x350 #4mm – aluminium

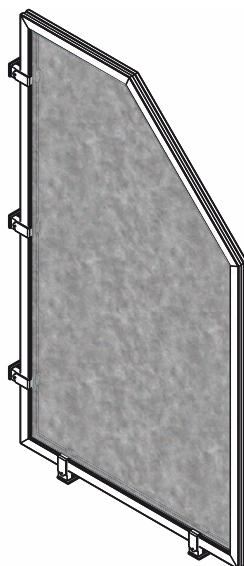


Wido + Laminam – other products

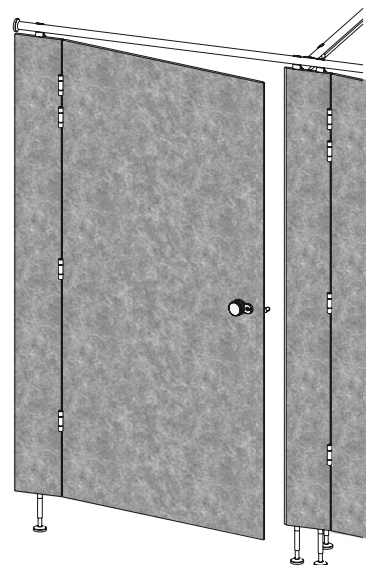
Railing systems



Partition walls



Sanitary cabins



Wido Profil Ltd.
22A Wielicka St.
Cracow 30-552, Poland
Telephone: 12 274 17 15
Fax: 12 274 40 81
E-mail: biuro@wido.com.pl
www.wido.com.pl

WIDO-GRIP WIDO-INV WIDO-FLIP WIDO-YPSILON WP-INTERIOR WIDO-SIDING WIDO-SID WIDO-CERAMIC
WIDO-ACUSTIC WIDO-PROFIL RAILING SYSTEMS: ALUMINIUM RAILINGS WIDO-INOX W-LINE SYSTEM
SANITARY CABINS WIDO-QUBIC

Copyright © Wido-Profil 2013

Wido-Ceramic - ASSEMBLING FAÇADE CERAMICS

Copyright © Wido-Profil 2013

2013-06-18

W-C-L-en

24