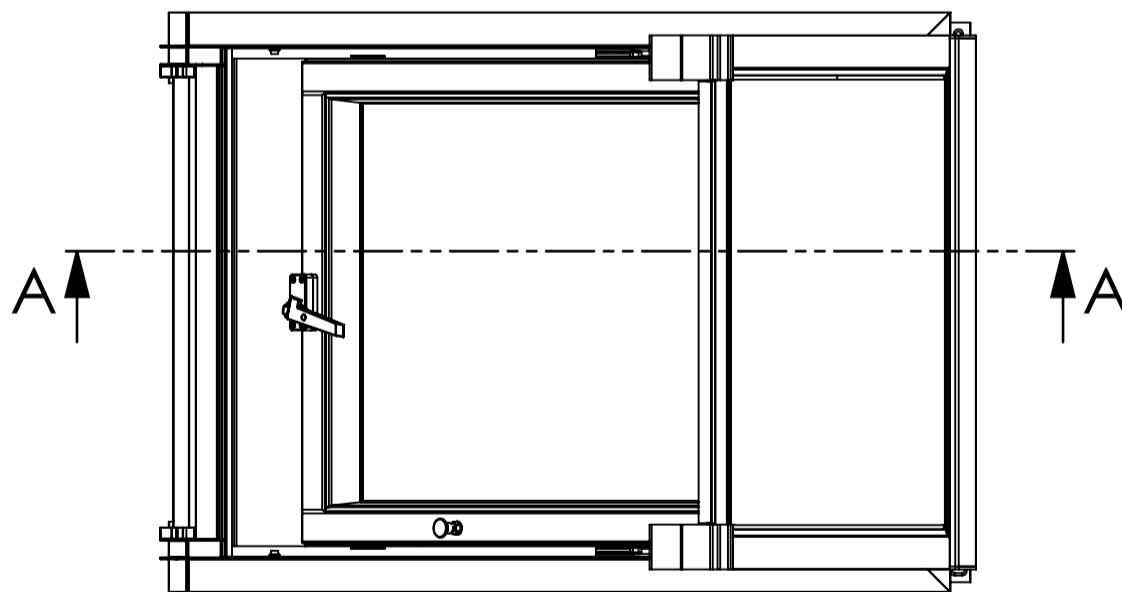



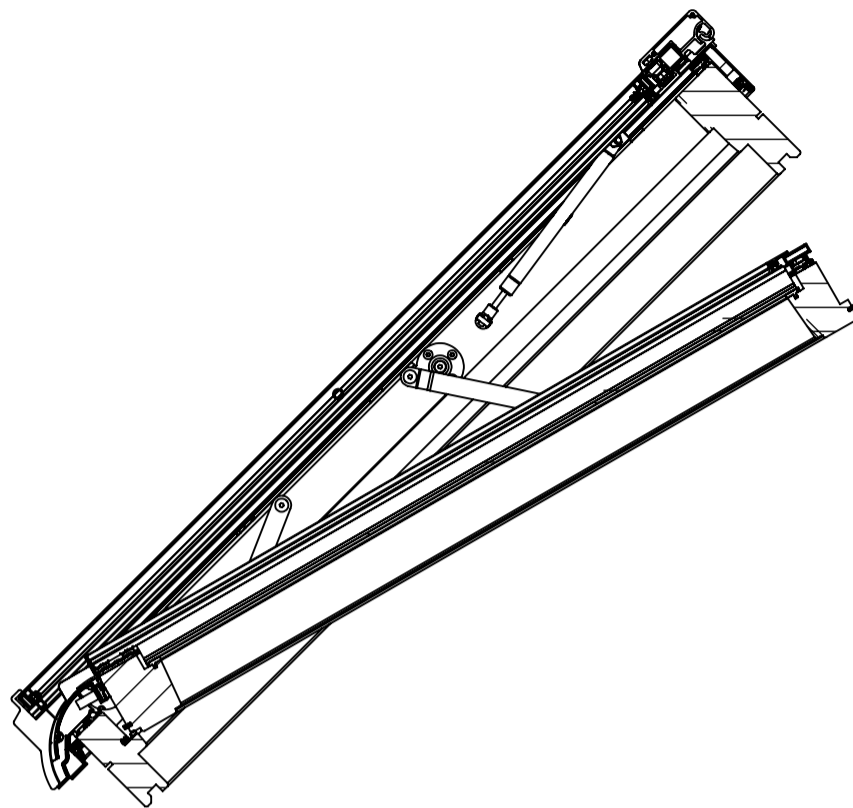


SECTION A-A
SCALE 1 : 8

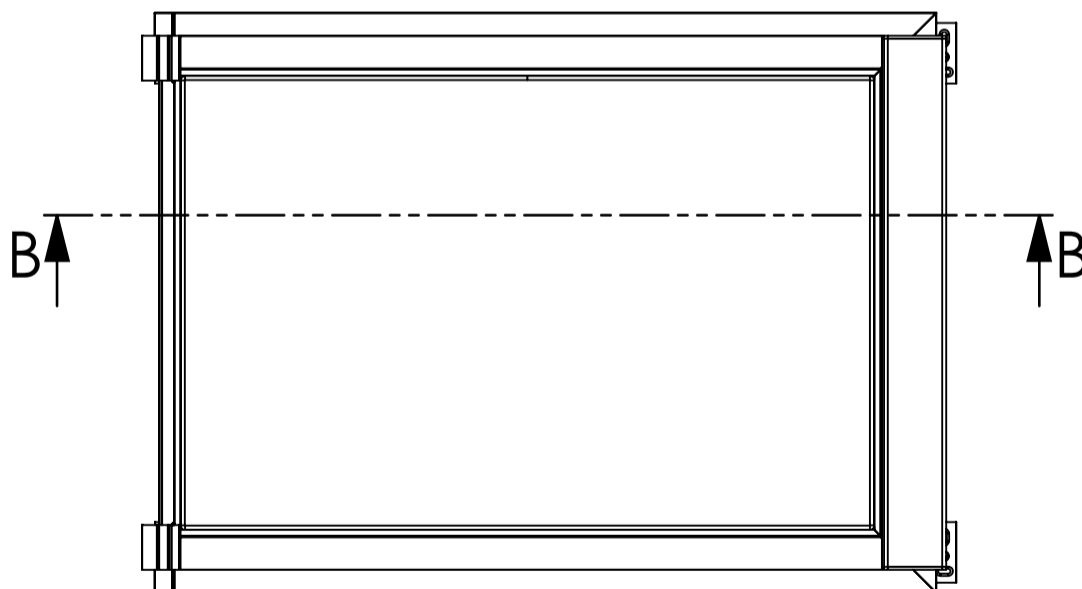


Lacquered Surface:

Material			
Density	kg/m ³		
Mass	kg		
Anodisation Surface	mm ²		
Revision	A	File name	
State	In Work	Title Skylux roof window SKY10 Open	
Designer			
Date Created	19/04/2017	Artn° 74x98	Ext. Artn° RD0108527
Tolerances		Last modification on 2019-11-20 By Christophe Van De Velde	
		Scale 1:10	Format A3 Sheet 1/3



SECTION B-B
SCALE 1 : 8

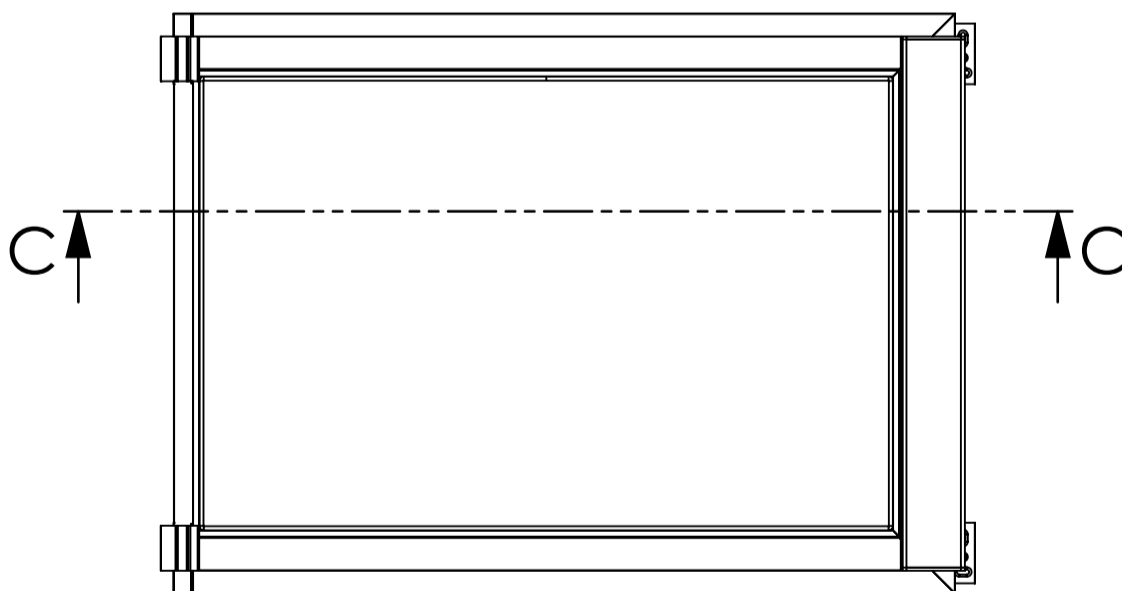


Lacquered Surface:

Material			
Density	kg/m ³		
Mass	kg		
Anodisation Surface	mm ²		
Revision	A	File name	
State	In Work	Title Skylux roof window SKY10 15°	
Designer			
Date Created	19/04/2017	Artn° 74x98	Ext. Artn° RD0108527
Tolerances		Last modification on 2019-11-20 By Christophe Van De Velde	
		Scale 1:10	Format A3 Sheet 2/3



SECTION C-C
SCALE 1 : 8



Lacquered Surface:

Material			
Density	kg/m ³		
Mass	kg		
Anodisation Surface	mm ²		
Revision	A	File name	
State	In Work	Title Skylux roof window SKY10 Closed	
Designer			
Date Created	19/04/2017	Artn° 74x98	Ext. Artn° RD0108527
Tolerances		Last modification on 2019-11-20 By Christophe Van De Velde	
		Scale 1:10	Format A3 Sheet 3/3